

PIES NIVELADORES SERIE GD01

GD01 SERIES LEVELING FEET

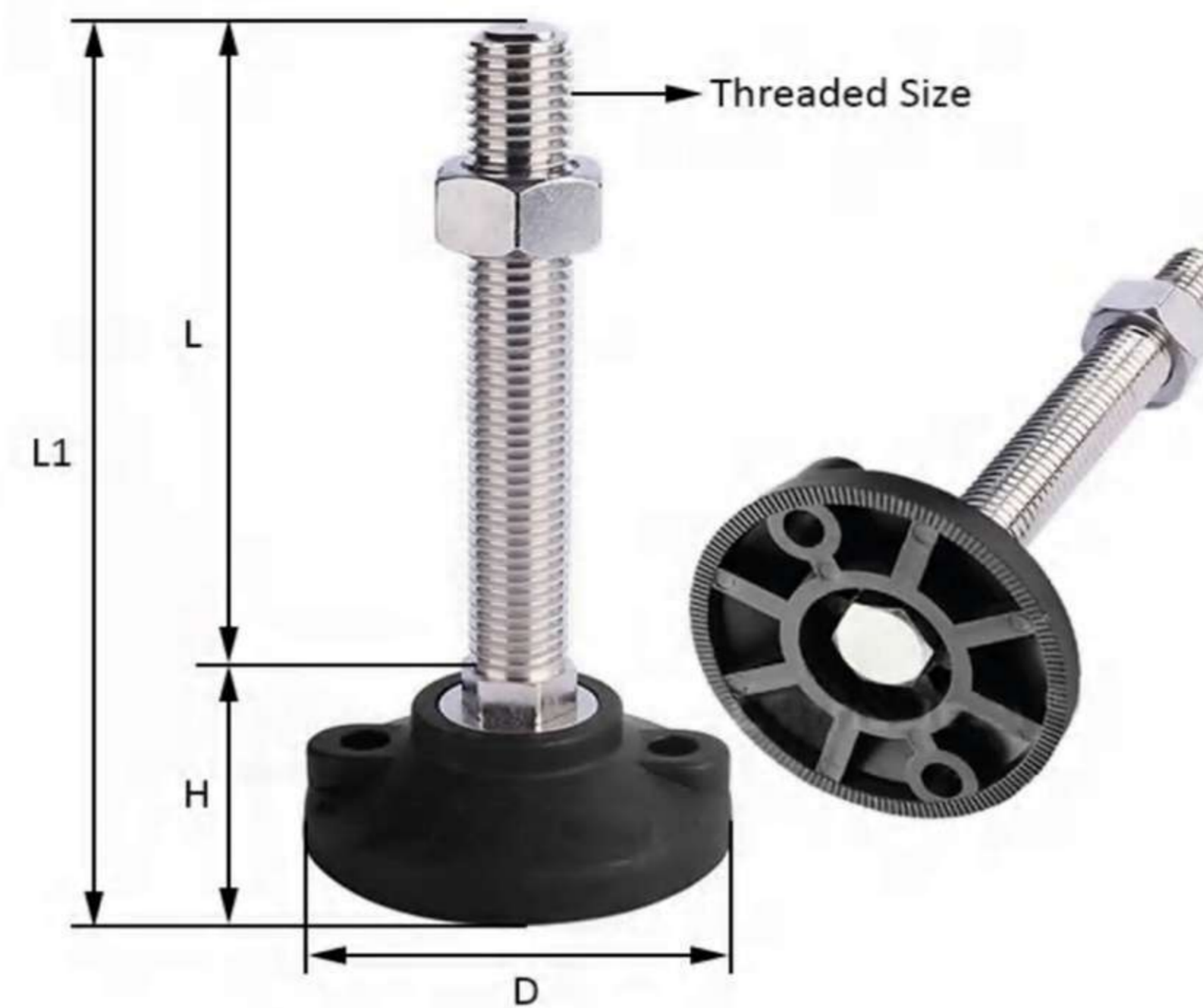


Modelo Model	Diámetro de la base Base Diameter (D)	Tamaño Roscado Threaded Size	Longitud Roscada Threaded Length (L)	Altura de Montaje Mounting Height (H)	Largo Total Total Length (L1)	Materiales de vástago roscado Threaded Stem Materials	Capacidad de Carga Loading Capacity
GD01-40F01	40mm	M8	50/80/100/120mm	28mm	78/108/128/148 mm	Carbon Steel/Stainless Steel 304	50 kg
GD01-40F02	40mm	M10	50/80/100/120/150mm	29mm	79/109/129/149/179 mm	Carbon Steel/Stainless Steel 304	60 kg
GD01-40F03	40mm	M12	50/80/100/120/150/200mm	30mm	80/110/130/150/180/230mm	Carbon Steel/Stainless Steel 304	70 kg
GD01-40FA01	40mm	5/16"-18	50/80/100/120mm	28mm	78/108/128/148 mm	Stainless Steel 304	50 kg
GD01-40FA02	40mm	3/8"-16	50/80/100/120/150mm	29mm	79/109/129/149/179 mm	Stainless Steel 304	60 kg
GD01-40FA03	40mm	1/2"-13	50/80/100/120/150/200mm	30mm	80/110/130/150/180/230 mm	Stainless Steel 304	70 kg
GD01-50F01	50mm	M8	50/80/100/120mm	29mm	79/109/129/149 mm	Carbon Steel/Stainless Steel 304	60 kg
GD01-50F02	50mm	M10	50/80/100/120/150mm	30mm	80/110/130/150/180mm	Carbon Steel/Stainless Steel 304	70 kg
GD01-50F03	50mm	M12	50/80/100/120/150/200mm	31 mm	81/111/131/151/181/231 mm	Carbon Steel/Stainless Steel 304	85 kg
GD01-50FA01	50mm	5/16"-18	50/80/100/120mm	29mm	79/109/129/149 mm	Stainless Steel 304	60 kg
GD01-50FA02	50mm	3/8"-16	50/80/100/120/150mm	30mm	80/110/130/150/180mm	Stainless Steel 304	70 kg
GD01-50FA03	50mm	1/2"-13	50/80/100/120/150/200mm	31 mm	81/111/131/151/181/231 mm	Stainless Steel 304	85 kg
GD01-60F01	60mm	M8	50/80/100/120 mm	32 mm	82/112/132/152 mm	Carbon Steel/Stainless Steel 304	70 kg
GD01-60F02	60mm	M10	50/80/100/120/150mm	33 mm	83/113/133/153/183 mm	Carbon Steel/Stainless Steel 304	80 kg

Modelo Model	Diámetro de la base Base Diameter (D)	Tamaño Roscado Threaded Size	Longitud Roscada Threaded Length (L)	Altura de Montaje Mounting Height (H)	Largo Total Total Length (L1)	Materiales de vástago roscado Threaded Stem Materials	Capacidad de Carga Loading Capacity
GD01-60F03	60mm	M12	50/80/100/120/150/200mm	34mm	84/114/134/154/184/234 mm	Carbon Steel/Stainless Steel 304	90 kg
GD01-60F04	60mm	M14	100/150 mm	36mm	136/186 mm	Carbon Steel/Stainless Steel 304	100 kg
GD01-60F05	60mm	M16	80/100/120/150/200/250/300mm	37mm	117/137/157/187/237/287/337 mm	Carbon Steel/Stainless Steel 304	110 kg
GD01-60F06	60mm	M18	100/150 mm	40mm	140/190 mm	Carbon Steel/Stainless Steel 304	115 kg
GD01-60F07	60mm	M20	80/100/120/150/200/250/300mm	41mm	121/141/161/191/241/291/341mm	Carbon Steel/Stainless Steel 304	120kg
GD01-60F08	60mm	M24	100/150/200/250/300 mm	41mm	141/191/241/291/341mm	Carbon Steel/Stainless Steel 304	130kg
GD01-60FA01	60mm	5/16"-18	50/80/100/120 mm	32 mm	82/112/132/152 mm	Carbon Steel/Stainless Steel 304	70 kg
GD01-60FA02	60mm	3/8"-16	50/80/100/120/150mm	33mm	83/113/133/153/183mm	Stainless Steel 304	80 kg
GD01-60FA03	60mm	7/16"-14	50/80/100/120/150mm	34mm	84/114/134/154/184mm	Stainless Steel 304	80 kg
GD01-60FA04	60mm	1/2"-13	50/80/100/120/150/200 mm	34mm	84/114/134/154/184/234 mm	Stainless Steel 304	90 kg
GD01-60FA05	60mm	5/8"-11	80/100/120/150/200/250/300 mm	37mm	117/137/157/187/237/287/337 mm	Stainless Steel 304	110 kg
GD01-60FA06	60mm	3/4"-10	80/100/120/150/200/250/300 mm	41mm	121/141/161/191/241/291/341mm	Stainless Steel 304	120kg
GD01-60FA07	60mm	7/8"-9	80/100/120/150/200/250/300 mm	41mm	121/141/161/191/241/291/341mm	Stainless Steel 304	125 kg
GD01-60FA08	60mm	1"-8	100/150/200/250/300 mm	41mm	141/191/241/291/341mm	Stainless Steel 304	130kg
GD01-80F01A	80mm	M8	50/80/100/120 mm	33mm	83/113/133/153 mm	Carbon Steel/Stainless Steel 304	80 kg
GD01-80F02A	80mm	M10	50/80/100/120/150 mm	34mm	84/114/134/154/184 mm	Carbon Steel/Stainless Steel 304	90 kg
GD01-80F03A	80mm	M12	50/80/100/120/150/200 mm	36mm	86/116/136/156/186/236 mm	Carbon Steel/Stainless Steel 304	100kg
GD01-80F04A	80mm	M14	100/150 mm	38mm	138/188 mm	Carbon Steel/Stainless Steel 304	120kg
GD01-80F05A	80mm	M16	80/100/120/150/200/250/300 mm	39mm	119/139/159/189/239/289/339 mm	Carbon Steel/Stainless Steel 304	170kg
GD01-80F06A	80mm	M18	100/150 mm	42mm	142/192 mm	Carbon Steel/Stainless Steel 304	180kg
GD01-80F07A	80mm	M20	80/100/120/150/200/250/300 mm	43mm	123/143/163/193/243/293/343mm	Carbon Steel/Stainless Steel 304	200kg
GD01-80F08A	80mm	M24	100/150/200/250/300mm	43mm	143/193/243/293/343 mm	Carbon Steel/Stainless Steel 304	230kg
GD01-80FA01A	80mm	5/16"-18	50/80/100/120 mm	33mm	83/113/133/153 mm	Stainless Steel 304	80 kg
GD01-80FA02A	80mm	3/8"-16	50/80/100/120/150mm	34mm	84/114/134/154/184 mm	Stainless Steel 304	90 kg
GD01-80FA03A	80mm	7/16"-14	50/80/100/120/150mm	34mm	84/114/134/154/184mm	Stainless Steel 304	95 kg
GD01-80FA04A	80mm	1/2"-13	50/80/100/120/150/200mm	36mm	86/116/136/156/186/236 mm	Stainless Steel 304	100kg
GD01-80FA05A	80mm	5/8"-11	80/100/120/150/200/250/300mm	39mm	119/139/159/189/239/289/339 mm	Stainless Steel 304	170kg
GD01-80FA06A	80mm	3/4"-10	80/100/120/150/200/250/300mm	43mm	123/143/163/193/243/293/343 mm	Stainless Steel 304	200kg
GD01-80FA07A	80mm	7/8"-9	80/100/120/150/200/250/300 mm	43mm	123/143/163/193/243/293/343 mm	Stainless Steel 304	210kg
GD01-80FA08A	80mm	1"-8	100/150/200/250/300 mm	43mm	143/193/243/293/343 mm	Stainless Steel 304	230kg

PIES NIVELADORES SERIE GD01

GD01 SERIES LEVELING FEET



Modelo Model	Diámetro de la base Base Diameter (D)	Tamaño Roscado Threaded Size	Longitud Roscada Threaded Length (L)	Altura de Montaje Mounting Height (H)	Largo Total Total Length (L1)	Materiales de vástago roscado Threaded Stem Materials	Capacidad de Carga Loading Capacity
GD01-100F01	100mm	M14	100/150 mm	38mm	138/188 mm	Carbon Steel/Stainless Steel 304	150 kg
GD01-100F02	100mm	M16	80/100/120/150/200/250/300mm	40mm	120/140/160/190/240/290/340mm	Carbon Steel/Stainless Steel 304	200 kg
GD01-100F03	100mm	M18	100/150 mm	42mm	142/192 mm	Carbon Steel/Stainless Steel 304	220 kg
GD01-100F04	100mm	M20	80/100/120/150/200/250/300mm	43mm	123/143/163/193/243/293/343 mm	Carbon Steel/Stainless Steel 304	250 kg
GD01-100F05	100mm	M24	100/150/200/250/300 mm	44mm	144/194/244/294/344 mm	Carbon Steel/Stainless Steel 304	350 kg
GD01-100FA01	100mm	5/8"-11	80/100/120/150/200/250/300mm	40mm	120/140/160/190/240/290/340mm	Stainless Steel 304	200 kg
GD01-100FA02	100mm	3/4"-10	80/100/120/150/200/250/300mm	43mm	123/143/163/193/243/293/343 mm	Stainless Steel 304	250 kg
GD01-100FA03	100mm	7/8"-9	80/100/120/150/200/250/300mm	44mm	124/144/164/194/244/294/344mm	Stainless Steel 304	300 kg
GD01-100FA04	100mm	1"-8	100/150/200/250/300 mm	44mm	144/194/244/294/344 mm	Stainless Steel 304	350 kg
GD01-125F01	125 mm	M14	100/150 mm	43mm	143/193 mm	Carbon Steel/Stainless Steel 304	150 kg
GD01-125F02	125 mm	M16	80/100/120/150/200/250/300mm	44mm	124/144/164/194/244/294/344mm	Carbon Steel/Stainless Steel 304	200 kg

Modelo Model	Diámetro de la base Base Diameter (D)	Tamaño Roscado Threaded Size	Longitud Roscada Threaded Length (L)	Altura de Montaje Mounting Height (H)	Largo Total Total Length (L1)	Materiales de vástago roscado Threaded Stem Materials	Capacidad de Carga Loading Capacity
GD01-125F03	125 mm	M18	100/150 mm	47mm	147/197 mm	Carbon Steel/Stainless Steel 304	220 kg
GD01-125F04	125 mm	M20	80/100/120/150/200/250/300mm	48mm	128/148/168/198/248/298/348mm	Carbon Steel/Stainless Steel 304	250 kg
GD01-125F05	125 mm	M24	100/150/200/250/300 mm	49mm	149/199/249/299/349mm	Carbon Steel/Stainless Steel 304	350 kg
GD01-125FA01	125 mm	5/8"-11	80/100/120/150/200/250/300mm	44mm	124/144/164/194/244/294/344mm	Stainless Steel 304	200 kg
GD01-125FA02	125 mm	3/4"-10	80/100/120/150/200/250/300mm	48mm	128/148/168/198/248/298/348mm	Stainless Steel 304	250 kg
GD01-125FA03	125 mm	7/8"-9	80/100/120/150/200/250/300mm	49mm	129/149/169/199/249/299/349 mm	Stainless Steel 304	300 kg
GD01-125FA04	125 mm	1"-8	100/150/200/250/300 mm	49mm	149/199/249/299/349mm	Stainless Steel 304	350 kg

PIES NIVELADORES SERIE GD01

GD01 SERIES LEVELING FEET

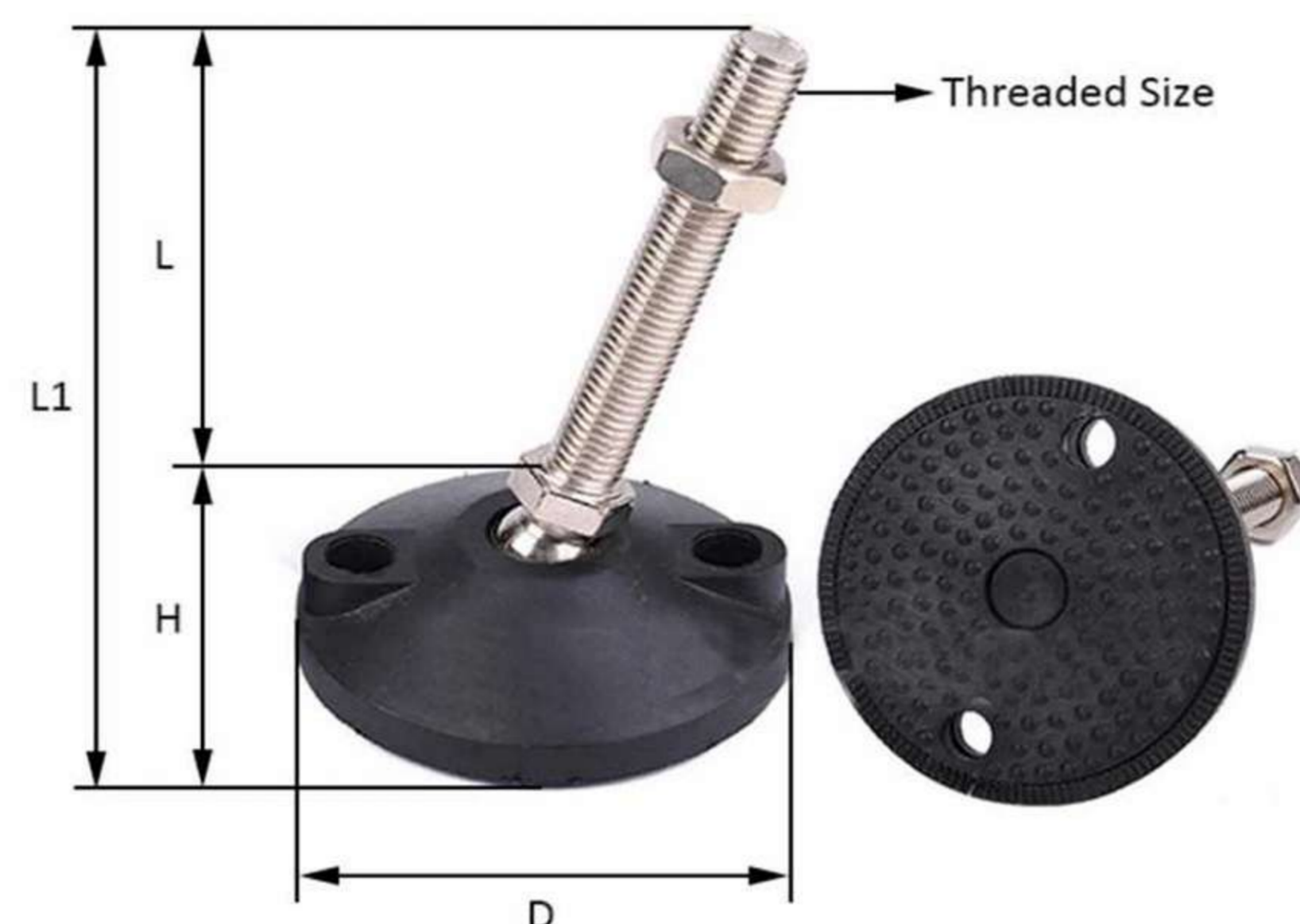


Modelo Model	Diámetro de la base Base Diameter (D)	Tamaño Roscado Threaded Size	Longitud Roscada Threaded Length (L)	Altura de Montaje Mounting Height (H)	Largo Total Total Length (L1)	Materiales de vástago roscado Threaded Stem Materials	Capacidad de Carga Loading Capacity
GD01-40S01	40mm	M8	50/80/100/120 mm	30mm	80/110/130/150 mm	Carbon Steel/Stainless Steel 304	50 kg
GD01-40S02	40mm	M10	50/80/100/120/150mm	30mm	80/110/130/150/180mm	Carbon Steel/Stainless Steel 304	60 kg
GD01-40S03	40mm	M12	50/80/100/120/150/200mm	32mm	82/112/132/152/232mm	Carbon Steel/Stainless Steel 304	70 kg
GD01-40SA01	40mm	5/16"-18	50/80/100/120 mm	30mm	80/110/130/150 mm	Stainless Steel 304	50 kg
GD01-40SA02	40mm	3/8"-16	50/80/100/120/150 mm	30mm	80/110/130/150/180mm	Stainless Steel 304	60 kg
GD01-40SA03	40mm	1/2"-13	50/80/100/120/150/200 mm	32 mm	82/112/132/152/232 mm	Stainless Steel 304	70 kg
GD01-50S01	50mm	M8	50/80/100/120mm	32mm	82/112/132/152 mm	Carbon Steel/Stainless Steel 304	60 kg
GD01-50S02	50mm	M10	50/80/100/120/150 mm	32mm	82/112/132/152/182 mm	Carbon Steel/Stainless Steel 304	70 kg
GD01-50S03	50mm	M12	50/80/100/120/150/200mm	34mm	84/114/134/154/184/234mm	Carbon Steel/Stainless Steel 304	85 kg
GD01-50SA01	50mm	5/16"-18	50/80/100/120 mm	32mm	82/112/132/152 mm	Stainless Steel 304	60 kg
GD01-50SA02	50mm	3/8"-16	50/80/100/120/150mm	32mm	82/112/132/152/182mm	Stainless Steel 304	70 kg
GD01-50SA03	50mm	1/2"-13	50/80/100/120/150/200mm	34mm	84/114/134/154/184/234mm	Stainless Steel 304	85 kg
GD01-60S01	60mm	M8	50/80/100/120mm	35 mm	85/115/135/155 mm	Carbon Steel/Stainless Steel 304	70 kg
GD01-60S02	60mm	M10	50/80/100/120/150 mm	35mm	85/115/135/155/185 mm	Carbon Steel/Stainless Steel 304	80 kg
GD01-60S03	60mm	M12	50/80/100/120/150/200mm	37 mm	87/117/137/157/187/237 mm	Carbon Steel/Stainless Steel 304	90 kg
GD01-60S04	60mm	M14	100/150 mm	39 mm	139/189 mm	Carbon Steel/Stainless Steel 304	100 kg

Modelo Model	Diámetro de la base Base Diameter (D)	Tamaño Roscado Threaded Size	Longitud Roscada Threaded Length (L)	Altura de Montaje Mounting Height (H)	Largo Total Total Length (L1)	Materiales de vástago roscado Threaded Stem Materials	Capacidad de Carga Loading Capacity
GD01-60S05	60mm	M16	80/100/120/150/200/250/300 mm	39 mm	119/139/159/189/239/289/339mm	Carbon Steel/Stainless Steel 304	110 kg
GD01-60S06	60mm	M18	100/150 mm	40mm	140/190 mm	Carbon Steel/Stainless Steel 304	115 kg
GD01-60S07	60mm	M20	80/100/120/150/200/250/300 mm	40mm	120/140/160/190/240/290/340 mm	Carbon Steel/Stainless Steel 304	120 kg
GD01-60S08	60mm	M24	100/150/200/250/300mm	44mm	144/194/244/294/344 mm	Carbon Steel/Stainless Steel 304	130 kg
GD01-60SA01	60mm	5/16"-18	50/80/100/120 mm	35mm	85/115/135/155 mm	Stainless Steel 304	70 kg
GD01-60SA02	60mm	3/8"-16	50/80/100/120/150 mm	35 mm	85/115/135/155/185 mm	Stainless Steel 304	80 kg
GD01-60SA03	60mm	7/16"-14	50/80/100/120/150mm	35mm	85/115/135/155/185mm	Stainless Steel 304	80 kg
GD01-60SA04	60mm	1/2"-13	50/80/100/120/150/200 mm	37 mm	87/117/137/157/187/237mm	Stainless Steel 304	90 kg
GD01-60SA05	60mm	5/8"-11	80/100/120/150/200/250/300 mm	39mm	119/139/159/189/239/289/339 mm	Stainless Steel 304	110 kg
GD01-60SA06	60mm	3/4"-10	80/100/120/150/200/250/300mm	40mm	120/140/160/190/240/290/340mm	Stainless Steel 304	120 kg
GD01-60SA07	60mm	7/8"-9	80/100/120/150/200/250/300 mm	44mm	124/144/164/194/244/294/344 mm	Stainless Steel 304	125 kg
GD01-60SA08	60mm	1"-8	100/150/200/250/300mm	44mm	144/194/244/294/344 mm	Stainless Steel 304	130 kg
GD01-80S01A	80mm	M8	50/80/100/120 mm	35mm	85/115/135/155 mm	Carbon Steel/Stainless Steel 304	80 kg
GD01-80S02A	80mm	M10	50/80/100/120/150 mm	35mm	85/115/135/155/185 mm	Carbon Steel/Stainless Steel 304	90 kg
GD01-80S03A	80mm	M12	50/80/100/120/150/200 mm	36mm	86/116/136/156/186/236 mm	Carbon Steel/Stainless Steel 304	100 kg
GD01-80S04A	80mm	M14	100/150 mm	45mm	145/195 mm	Carbon Steel/Stainless Steel 304	120 kg
GD01-80S05A	80mm	M16	80/100/120/150/200/250/300 mm	45mm	125/145/165/195/245/295/345mm	Carbon Steel/Stainless Steel 304	170 kg
GD01-80S06A	80mm	M18	100/150 mm	45mm	145/195 mm	Carbon Steel/Stainless Steel 304	180 kg
GD01-80S07A	80mm	M20	80/100/120/150/200/250/300mm	45mm	125/145/165/195/245/295/345 mm	Carbon Steel/Stainless Steel 304	200 kg
GD01-80S08A	80mm	M24	100/150/200/250/300mm	49mm	149/199/249/299/349mm	Carbon Steel/Stainless Steel 304	230 kg
GD01-80SA01A	80mm	5/16"-18	50/80/100/120 mm	35mm	85/115/135/155 mm	Stainless Steel 304	80 kg
GD01-80SA02A	80mm	3/8"-16	50/80/100/120/150 mm	35mm	85/115/135/155/185 mm	Stainless Steel 304	90 kg
GD01-80SA03A	80mm	7/16"-14	50/80/100/120/150 mm	35mm	85/115/135/155/185 mm	Stainless Steel 304	95 kg
GD01-80SA04A	80mm	1/2"-13	50/80/100/120/150/200mm	36mm	86/116/136/156/186/236 mm	Stainless Steel 304	100 kg
GD01-80SA05A	80mm	5/8"-11	80/100/120/150/200/250/300mm	45mm	125/145/165/195/245/295/345 mm	Stainless Steel 304	170 kg
GD01-80SA06A	80mm	3/4"-10	80/100/120/150/200/250/300mm	45mm	125/145/165/195/245/295/345 mm	Stainless Steel 304	200 kg
GD01-80SA07A	80mm	7/8"-9	80/100/120/150/200/250/300mm	49mm	129/149/169/199/249/299/349mm	Stainless Steel 304	210 kg
GD01-80SA08A	80mm	1"-8	100/150/200/250/300mm	49mm	149/199/249/299/349 mm	Stainless Steel 304	230 kg

PIES NIVELADORES SERIE GD01

GD01 SERIES LEVELING FEET

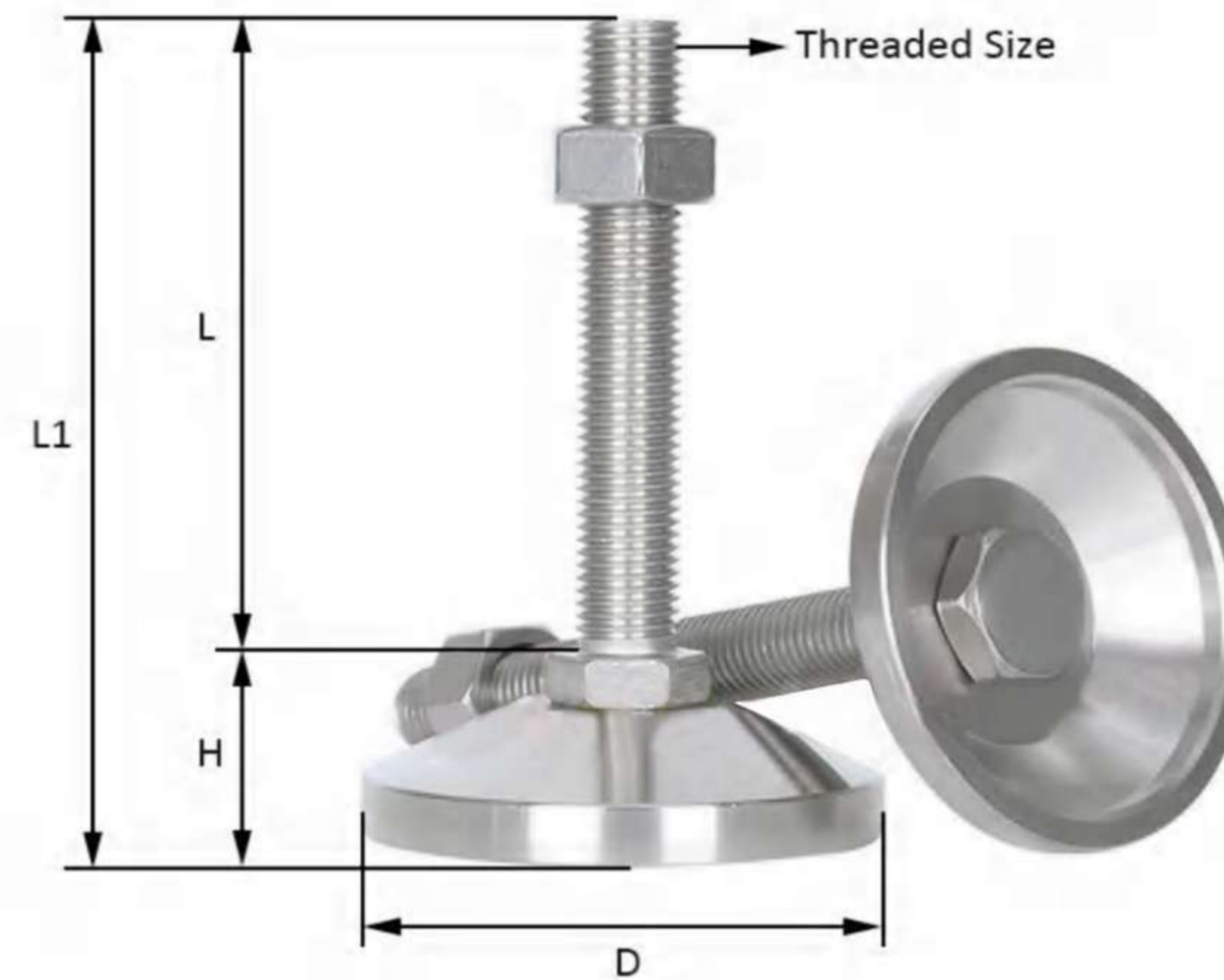


Modelo Model	Diámetro de La base Base Diameter(D)	Tamaño Roscado Threaded Size	Longitud Roscada Threaded Length (L)	Altura de Montaje Mounting Height (H)	Largo Total Total Length (L1)	Materiales de vástago roscado Threaded Stem Materials	Capacidad de Carga Loading Capacity
GD01-100S01	100mm	M14	100/150 mm	45mm	145/195 mm	Carbon Steel/Stainless Steel 304	150 kg
GD01-100S02	100mm	M16	80/100/120/150/200/250/300 mm	45mm	125/145/165/195/245/295/345 mm	Carbon Steel/Stainless Steel 304	200 kg
GD01-100S03	100mm	M18	100/150 mm	45mm	145/195 mm	Carbon Steel/Stainless Steel 304	220 kg
GD01-100S04	100mm	M20	80/100/120/150/200/250/300mm	45mm	125/145/165/195/245/295/345 mm	Carbon Steel/Stainless Steel 304	250 kg
GD01-100S05	100mm	M24	100/150/200/250/300mm	49mm	149/199/249/299/349mm	Carbon Steel/Stainless Steel 304	350 kg
GD01-100SA01	100mm	5/8"-11	80/100/120/150/200/250/300 mm	45mm	125/145/165/195/245/295/345mm	Stainless Steel 304	200 kg
GD01-100SA02	100mm	3/4"-10	80/100/120/150/200/250/300mm	45mm	125/145/165/195/245/295/345mm	Stainless Steel 304	250 kg
GD01-100SA03	100mm	7/8"-9	80/100/120/150/200/250/300mm	49mm	129/149/169/199/249/299/349mm	Stainless Steel 304	300 kg
GD01-100SA04	100mm	1"-8	100/150/200/250/300mm	49mm	149/199/249/299/349 mm	Stainless Steel 304	350 kg

Modelo Model	Diámetro de la base Base Diameter (D)	Tamaño Roscado Threaded Size	Longitud Roscada Threaded Length (L)	Altura de Montaje Mounting Height (H)	Largo Total Total Length (L1)	Materiales de vástago roscado Threaded Stem Materials	Capacidad de Carga Loading Capacity
GD01-125S01	125 mm	M14	100/150 mm	46mm	146/196 mm	Carbon Steel/Stainless Steel 304	150 kg
GD01-125S02	125 mm	M16	80/100/120/150/200/250/300mm	46mm	126/146/166/196/246/296/346 mm	Carbon Steel/Stainless Steel 304	200 kg
GD01-125S03	125 mm	M18	100/150 mm	46mm	146/196 mm	Carbon Steel/Stainless Steel 304	220 kg
GD01-125S04	125 mm	M20	80/100/120/150/200/250/300mm	46mm	126/146/166/196/246/296/346 mm	Carbon Steel/Stainless Steel 304	250 kg
GD01-125S05	125 mm	M24	100/150/200/250/300mm	50mm	150/200/250/300/350 mm	Carbon Steel/Stainless Steel 304	350 kg
GD01-125SA01	125 mm	5/8"-11	80/100/120/150/200/250/300mm	46mm	126/146/166/196/246/296/346 mm	Stainless Steel 304	200 kg
GD01-125SA02	125 mm	3/4"-10	80/100/120/150/200/250/300mm	46mm	126/146/166/196/246/296/346 mm	Stainless Steel 304	250 kg
GD01-125SA03	125 mm	7/8"-9	80/100/120/150/200/250/300mm	50mm	130/150/170/200/250/300/350mm	Stainless Steel 304	300 kg
GD01-125SA04	125 mm	1"-8	100/150/200/250/300mm	50mm	150/200/250/300/350 mm	Stainless Steel 304	350 kg

PIES NIVELADORES SERIE GD02

GD02 SERIES LEVELING FEET

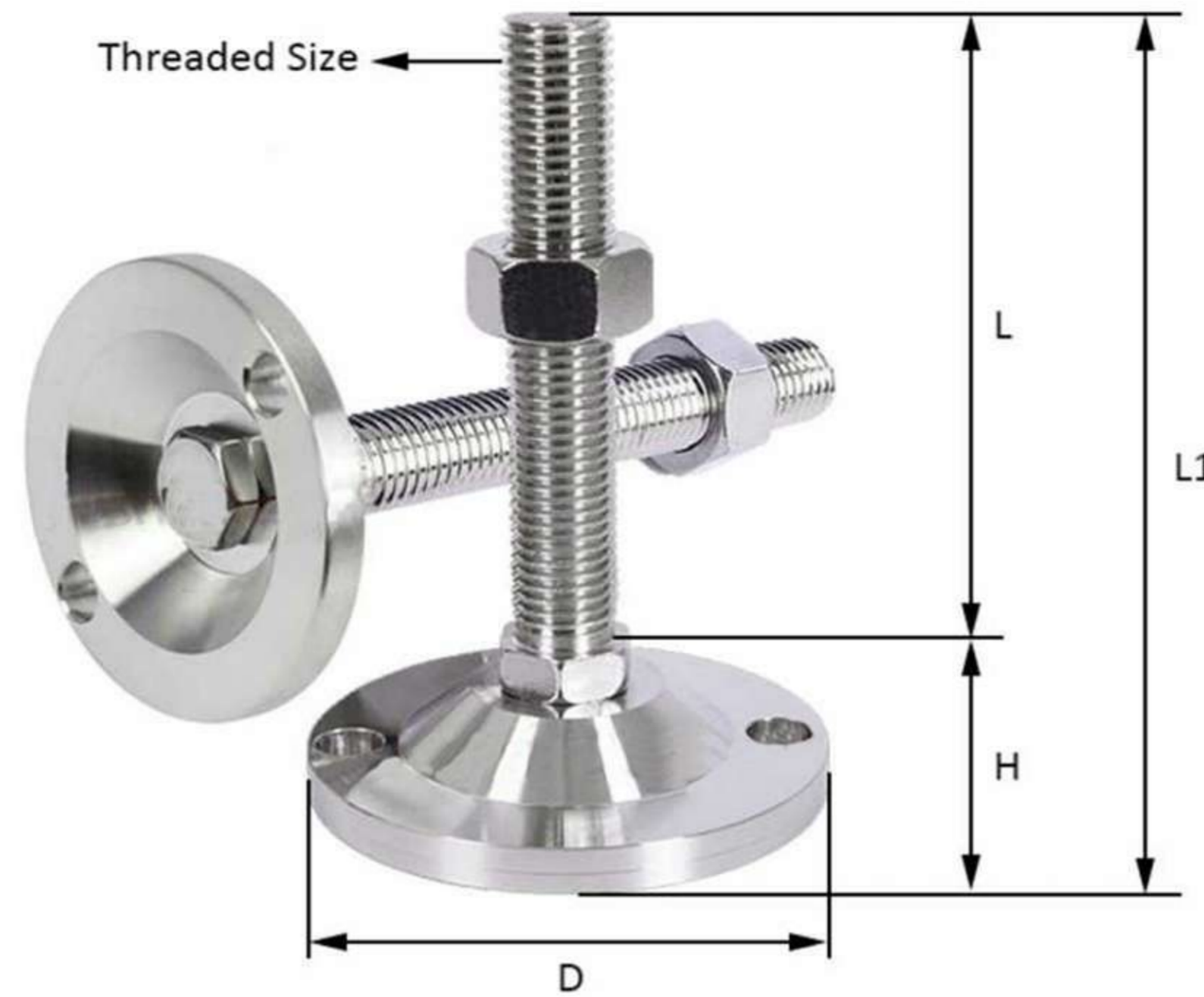


Modelo Model	Diámetro de la base Base Diameter (D)	Tamaño Roscado Threaded Size	Longitud Roscada Threaded Length (L)	Altura de Montaje Mounting Height (H)	Largo Total Total Length (L1)	Materiales de vástago roscado Threaded Stem Materials	Capacidad de Carga Loading Capacity
GD02-40F01	40mm	M8	50/80/100/120 mm	22mm	72/102/122/142 mm	Carbon Steel/Stainless Steel 304	100 kg
GD02-40F02	40mm	M10	50/80/100/120/150mm	24mm	74/104/124/144/174mm	Carbon Steel/Stainless Steel 304	200 kg
GD02-40F03	40mm	M12	50/80/100/120/150/200mm	25mm	75/105/125/145/175/225 mm	Carbon Steel/Stainless Steel 304	400 kg
GD02-40FA01	40mm	5/16"-18	50/80/100/120 mm	22mm	72/102/122/142 mm	Stainless Steel 304	100 kg
GD02-40FA02	40mm	3/8"-16	50/80/100/120/150 mm	24mm	74/104/124/144/174mm	Stainless Steel 304	200 kg
GD02-40FA03	40mm	1/2"-13	50/80/100/120/150/200 mm	25mm	75/105/125/145/175/225 mm	Stainless Steel 304	400 kg
GD02-50F01	50mm	M8	50/80/100/120 mm.	25mm	75/105/125/145 mm	Carbon Steel/Stainless Steel 304	100 kg
GD02-50F02	50mm	M10	50/80/100/120/150mm	27mm	77/107/127/147/177 mm	Carbon Steel/Stainless Steel 304	200 kg
GD02-50F03	50mm	M12	50/80/100/120/150/200mm	29mm	79/109/129/149/179/229mm	Carbon Steel/Stainless Steel 304	400 kg
GD02-50FA01	50mm	5/16"-18	50/80/100/120 mm	25mm	75/105/125/145 mm	Stainless Steel 304	100 kg
GD02-50FA02	50mm	3/8"-16	50/80/100/120/150mm	27mm	77/107/127/147/177 mm	Stainless Steel 304	200 kg
GD02-50FA03	50mm	1/2"-13	50/80/100/120/150/200mm	29mm	79/109/129/149/179/229mm	Stainless Steel 304	400 kg
GD02-60F02	60mm	M10	50/80/100/120/150mm	29mm	79/109/129/149/179 mm	Carbon Steel/Stainless Steel 304	200 kg
GD02-60F03	60mm	M12	50/80/100/120/150/200mm	31mm	81/111/131/151/181/231 mm	Carbon Steel/Stainless Steel 304	500 kg

Modelo Model	Diámetro de la base Diameter (D)	Tamaño Roscado Threaded Size	Longitud Roscada Threaded Length (L)	Altura de Montaje Mounting Height (H)	Largo Total Total Length (LI)	Materiales de vástago roscado Threaded Stem Materials	Capacidad de Carga Loading Capacity
GD02-60F04	60mm	M14	100/150 mm	32 mm	132/182 mm	Carbon Steel/Stainless Steel 304	600 kg
GD02-60F05	60mm	M16	80/100/120/150/200/250/300mm	34 mm	114/134/154/184/234/284/334mm	Carbon Steel/Stainless Steel 304	800 kg
GD02-60F06	60mm	M18	100/150 mm	36 mm	136/186 mm	Carbon Steel/Stainless Steel 304	900 kg
GD02-60F07	60mm	M20	80/100/120/150/200/250/300mm	37 mm	117/137/157/187/237/287/337 mm	Carbon Steel/Stainless Steel 304	1000 kg
GD02-60F08	60mm	M24	100/150/200/250/300 mm	39 mm	139/189/239/289/339mm	Carbon Steel/Stainless Steel 304	1000 kg
GD02-60FA2A	60mm	3/8"-16	50/80/100/120/150mm	29 mm	79/109/129/149/179mm	Stainless Steel 304	200 kg
GD02-60FA3A	60mm	7/16"-14	50/80/100/120/150 mm	29 mm	79/109/129/149/179mm	Stainless Steel 304	300 kg
GD02-60FA4A	60mm	1/2"-13	50/80/100/120/150/200mm	31mm	81/111/131/151/181/231 mm	Stainless Steel 304	500 kg
GD02-60FA5A	60mm	5/8"-11	80/100/120/150/200/250/300mm	34 mm	114/134/154/184/234/284/334mm	Stainless Steel 304	800 kg
GD02-60FA6A	60mm	3/4"-10	80/100/120/150/200/250/300mm	37 mm	117/137/157/187/237/287/337 mm	Stainless Steel 304	1000 kg
GD02-60FA7A	60mm	7/8"-9	80/100/120/150/200/250/300mm	39 mm	119/139/159/189/239/289/339mm	Stainless Steel 304	1000 kg
GD02-60FA8A	80mm	1"-8	100/150/200/250/300 mm	39 mm	139/189/239/289/339 mm	Stainless Steel 304	1000 kg
GD02-80F03	80mm	M12	50/80/100/120/150/200 mm	31 mm	81/111/131/151/181/231 mm	Carbon Steel/Stainless Steel 304	500 kg
GD02-80F04	80mm	M14	100/150 mm	32 mm	132/182 mm	Carbon Steel/Stainless Steel 304	600 kg
GD02-80F05	80mm	M16	80/100/120/150/200/250/300 m	33 mm	113/133/153/183/233/283/333 mm	Carbon Steel/Stainless Steel 304	800 kg
GD02-80F06	80mm	M18	100/150 mm	35 mm	135/185 mm	Carbon Steel/Stainless Steel 304	900 kg
GD02-80F07	80mm	M20	80/100/120/150/200/250/300mm	36 mm	116/136/156/186/236/286/336 mm	Carbon Steel/Stainless Steel 304	1000 kg
GD02-80F08	80mm	M24	100/150/200/250/300mm	39 mm	139/189/239/289/339mm	Carbon Steel/Stainless Steel 304	1000 kg
GD02-80FA03	80mm	7/16"-14	50/80/100/120/150/200 mm	31 mm	81/111/131/151/181/231 mm	Stainless Steel 304	400 kg
GD02-80FA04	80mm	1/2"-13	50/80/100/120/150/200 mm	31 mm	81/111/131/151/181/231 mm	Stainless Steel 304	500 kg
GD02-80FA05	80mm	5/8"-11	80/100/120/150/200/250/300mm	33 mm	113/133/153/183/233/283/333 mm	Stainless Steel 304	800 kg
GD02-80FA06	80mm	3/4"-10	80/100/120/150/200/250/300 mm	36 mm	116/136/156/186/236/286/336 mm	Stainless Steel 304	1000 kg
GD02-80FA07	80mm	7/8"-9	100/150/200/250/300 mm	39 mm	139/189/239/289/339 mm	Stainless Steel 304	1000 kg
GD02-80FA08	80mm	1"-8	100/150/200/250/300 mm	39 mm	139/189/239/289/339 mm	Stainless Steel 304	1000 kg

PIES NIVELADORES SERIE GD02

GD02 SERIES LEVELING FEET



Modelo Model	Diámetro de la Base Diameter (D)	Tamaño Roscado Threaded Size	Longitud Roscada Threaded Length (L)	Altura de Montaje Mounting Height (H)	Largo Total Total Length (L1)	Materiales de vástago roscado Threaded Stem Materials	Capacidad de Carga Loading Capacity
GD02-100F01	100 mm	M14	100/150 mm	34 mm	134/184 mm	Carbon Steel/Stainless Steel 304	600 kg
GD02-100F02	100 mm	M16	80/100/120/150/200/250/300 mm	36 mm	116/136/156/186/236/286/336 mm	Carbon Steel/Stainless Steel 304	800 kg
GDO2-100F03	100 mm	M18	100/150 mm	38 mm	138/188 mm	Carbon Steel/Stainless Steel304	900 kg
GD02-100F04	100 mm	M20	80/100/120/150/200/250/300 mm	38 mm	118/138/158/188/238/288/338 mm	Carbon Steel/Stainless Steel 304	1000 kg
GD02-100F05	100 mm	M24	100/150/200/250/300 mm	38 mm	138/188/238/288/338 mm	Carbon Steel/Stainless Steel 304	1000 kg
GD02-100FA01	100 mm	5/8"-11	80/100/120/150/200/250/300 mm	36 mm	116/136/156/186/236/286/336 mm	Stainless Steel 304	800 kg
GD02-100FA02	100 mm	3/4"-10	80/100/120/150/200/250/300 mm	38mm	118/138/158/188/238/288/338 mm	Stainless Steel 304	1000 kg
GD02-100FA03	100 mm	7/8"-9	100/150/200/250/300 mm	38 mm	138/188/238/288/338 mm	Stainless Steel 304	1000 kg
GD02-100FA04	100 mm	1"-8	100/150/200/250/300 mm	38 mm	138/188/238/288/338 mm	Stainless Steel 304	1000 kg

Modelo Model	Diámetro de la base Base Diameter (D)	Tamaño Roscado Threaded Size	Longitud Roscada Threaded Length (L)	Altura de Montaje Mounting Height (H)	Largo Total Total Length (L1)	Materiales de vástago roscado Threaded Stem Materials	Capacidad de Carga Loading Capacity
GD02-120F01	120 mm	M14	100/150 mm	34 mm	134/184 mm	Carbon Steel/Stainless Steel 304	800 kg
GD02-120F02	120 mm	M16	80/100/120/150/200/250/300 mm	36mm	116/136/156/186/236/286/336 mm	Carbon Steel/Stainless Steel 304	900 kg
GD02-120F03	120 mm	M18	100/150 mm	38 mm	138/188 mm	Carbon Steel/Stainless Steel 304	1000 kg
GD02-120F04	120 mm	M20	80/100/120/150/200/250/300 mm	37 mm	117/137/157/187/237/287/337 mm	Carbon Steel/Stainless Steel 304	1200 kg
GD02-120F05	120 mm	M24	100/150/200/250/300 mm	41 mm	141/191/241/291/341 mm	Carbon Steel/Stainless Steel 304	1500 kg
GD02-120FA01	120 mm	5/8"-11	80/100/120/150/200/250/300 mm	36 mm	116/136/156/186/236/286/336 mm	Stainless Steel 304	900 kg
GD02-120FA02	120 mm	3/4"-10	80/100/120/150/200/250/300 mm	37 mm	117/137/157/187/237/287/337 mm	Stainless Steel 304	1200 kg
GD02-120FA03	120 mm	7/8"-9	100/150/200/250/300 mm	41 mm	141/191/241/291/341 mm	Stainless Steel 304	1300 kg
GD02-120FA04	120 mm	1"-8	100/150/200/250/300 mm	41 mm	141/191/241/291/341 mm	Stainless Steel 304	1500 kg
GD02-150F01	150 mm	M14	100/150 mm	40 mm	140/190 mm	Carbon Steel/Stainless Steel 304	900 kg
GD02-150F02	150 mm	M16	80/100/120/150/200/250/300 mm	41 mm	121/141/161/191/241/291/341 mm	Carbon Steel/Stainless Steel 304	1000 kg
GD02-150F03	150 mm	M18	100/150 mm	43 mm	143/193 mm	Carbon Steel/Stainless Steel 304	1200 kg
GD02-150F04	150 mm	M20	80/100/120/150/200/250/300 mm	44 mm	124/144/164/194/244/294/344 mm	Carbon Steel/Stainless Steel 304	1500 kg
GD02-150F05	150 mm	M24	100/150/200/250/300 mm	48 mm	148/198/248/298/348 mm	Carbon Steel/Stainless Steel 304	1800 kg
GD02-150FA01	150 mm	5/8"-11	80/100/120/150/200/250/300 mm	41 mm	121/141/161/191/241/291/341 mm	Stainless Steel 304	1000 kg
GD02-150FA02	150 mm	3/4"-10	80/100/120/150/200/250/300 mm	44 mm	124/144/164/194/244/294/344 mm	Stainless Steel 304	1500 kg
GD02-150FA03	150 mm	7/8"-9	100/150/200/250/300 mm	48 mm	148/198/248/298/348 mm	Stainless Steel 304	1600 kg
GD02-150FA04	150 mm	1"-8	100/150/200/250/300 mm	48 mm	148/198/248/298/348 mm	Stainless Steel 304	1800 kg

PIES NIVELADORES SERIE GD02

GD02 SERIES LEVELING FEET



Modelo Model	Diámetro de la base Base Diameter (D)	Tamaño Roscado Threaded Size	Longitud Roscada Threaded Length (L)	Altura de Montaje Mounting Height (H)	Largo Total Total Length (L1)	Materiales de vástago roscado Threaded Stem Materials	Capacidad de Carga Loading Capacity
GD02-40S01A	40 mm	M8	50/80/100/120 mm	30mm	80/110/130/150 mm	Carbon Steel/Stainless Steel 304	100 kg
GD02-40S02A	40 mm	M10	50/80/100/120/150 mm	30mm	80/110/130/150/180 mm	Carbon Steel/Stainless Steel 304	200 kg
GD02-40S03A	40 mm	M12	50/80/100/120/150/200 mm	30 mm	80/110/130/150/180/230 mm	Carbon Steel/Stainless Steel 304	400 kg
GD02-40SA01A	40 mm	5/16"-18	50/80/100/120 mm	30 mm	80/110/130/150 mm	Stainless Steel 304	100 kg
GD02-40SA02A	40 mm	3/8"-16	50/80/100/120/150 mm	30 mm	80/110/130/150/180 mm	Stainless Steel 304	200 kg
GD02-40SA03A	40 mm	1/2"-13	50/80/100/120/150/200 mm	30 mm	80/110/130/150/180/230 mm	Stainless Steel 304	400 kg
GD02-50S01A	50 mm	M8	50/80/100/120 mm	31 mm	81/111/131/151 mm	Carbon Steel/Stainless Steel 304	100 kg
GD02-50S02A	50 mm	M10	50/80/100/120/150 mm	31 mm	81/111/131/151/181 mm	Carbon Steel/Stainless Steel 304	200 kg
GD02-50S03A	50 mm	M12	50/80/100/120/150/200 mm	31 mm	81/111/131/151/181/231 mm	Carbon Steel/Stainless Steel 304	400 kg
GD02-50SA01A	50 mm	5/16"-18	50/80/100/120 mm	31 mm	81/111/131/151 mm	Stainless Steel 304	100 kg
GD02-50SA02A	50 mm	3/8"-16	50/80/100/120/150 mm	31 mm	81/111/131/151/181 mm	Stainless Steel 304	200 kg
GD02-50SA03A	50 mm	1/2"-13	50/80/100/120/150/200 mm	31 mm	81/111/131/151/181/231 mm	Stainless Steel 304	400 kg
GD02-60S01A	60 mm	M8	50/80/100/120 mm	32mm	82/112/132/152mm	Carbon Steel/Stainless Steel 304	150 kg
GD02-60S02A	60 mm	M10	50/80/100/120/150 mm	32 mm	82/112/132/152/182 mm	Carbon Steel/Stainless Steel 304	200 kg

Modelo Model	Diámetro de la base Diameter (D)	Tamaño Roscado Threaded Size	Longitud Roscada Threaded Length (L)	Altura de Montaje Mounting Height (H)	Largo Total Total Length (L1)	Materiales de vástago roscado Threaded Stem Materials	Capacidad de Carga Loading Capacity
GD02-60S03A	60 mm	M12	50/80/100/120/150/200 mm	33 mm	83/113/133/153/183/233 mm	Carbon Steel/Stainless Steel 304	500 KG
GD02-60S04A	60 mm	M14	100/150 mm	34 mm	134/184 mm	Carbon Steel/Stainless Steel 304	600 kg
GD02-60S05A	60 mm	M16	80/100/120/150/200/250/300 mm	35 mm	115/135/155/185/235/285/335mm	Carbon Steel/Stainless Steel 304	800 kg
GD02-60S06A	60 mm	M18	100/150 mm	36 mm	136/186 mm	Carbon Steel/Stainless Steel 304	900 kg
GD02-60S07A	60 mm	M20	80/100/120/150/200/250/300 mm	37 mm	117/137/157/187/237/287/337 mm	Carbon Steel/Stainless Steel 304	1000 kg
GD02-60S08A	60 mm	M24	100/150/200/250/300 mm	37 mm	137/187/237/287/337 mm	Carbon Steel/Stainless Steel 304	1000 kg
GD02-60SA01A	60mm	5/16"-18	50/80/100/120 mm	32 mm	82/112/132/152 mm	Stainless Steel 304	150 kg
GD02-60SA02A	60mm	3/8"-16	50/80/100/120/150 mm	32 mm	82/112/132/152/182 mm	Stainless Steel 304	200 kg
GD02-60SA03A	60mm	7/16"-14	50/80/100/120/150/200mm	32 mm	82/112/132/152/182 mm	Stainless Steel 304	300 kg
GD02-60SA04A	60mm	1/2"-13	80/100/120/150/200/250/300mm	33 mm	83/113/133/153/183/233 mm	Stainless Steel 304	500 kg
GD02-60SA05A	60mm	5/8"-11	80/100/120/150/200/250/300mm	35 mm	115/135/155/185/235/285/335 mm	Stainless Steel 304	800 kg
GD02-60SA06A	60mm	3/4"-10	80/100/120/150/200/250/300mm	37 mm	117/137/157/187/237/287/337 mm	Stainless Steel 304	1000 kg
GD02-60SA07A	80mm	7/8"-9	100/150/200/250/300 mm	37 mm	137/187/237/287/337 mm	Stainless Steel 304	1000 kg
GD02-60SA08A	80mm	1"-8	100/150/200/250/300 mm	37 mm	137/187/237/287/337 mm	Stainless Steel 304	1000 kg
GD02-80S03A	80mm	M12	50/80/100/120/150/200 mm	35 mm	85/115/135/155/185/235 mm	Carbon Steel/Stainless Steel 304	500 kg
GD02-80S04A	80mm	M14	100/150 mm	35 mm	135/185 mm	Carbon Steel/Stainless Steel 304	600 kg
GD02-80S05A	80mm	M16	80/100/120/150/200/250/300 m	33 mm	120/140/160/190/240/290/340 mm	Carbon Steel/Stainless Steel 304	800 kg
GD02-80S06A	80mm	M18	100/150 mm	35 mm	139/189 mm	Carbon Steel/Stainless Steel 304	900 kg
GD02-80S07A	80mm	M20	80/100/120/150/200/250/300mm	36 mm	120/140/160/190/240/290/340 mm	Carbon Steel/Stainless Steel 304	1000 kg
GD02-80S08A	80mm	M24	100/150/200/250/300mm	39 mm	140/190/240/290/340 mm	Carbon Steel/Stainless Steel 304	1000 kg
GD02-80SA03A	80mm	7/16"-14	50/80/100/120/150/200 mm	35 mm	85/115/135/155/185/235 mm	Stainless Steel 304	400 kg
GD02-80SA04A	80mm	1/2"-13	50/80/100/120/150/200 mm	35 mm	85/115/135/155/185/235 mm	Stainless Steel 304	500 kg
GD02-80SA05A	80mm	5/8"-11	80/100/120/150/200/250/300mm	38 mm	118/138/158/188/238/288/338 mm	Stainless Steel 304	800 kg
GD02-80SA06A	80mm	3/4"-10	80/100/120/150/200/250/300 mm	40 mm	120/140/160/190/240/290/340 mm	Stainless Steel 304	1000 kg
GD02-80SA07A	80mm	7/8"-9	100/150/200/250/300 mm	40 mm	140/190/240/290/340 mm	Stainless Steel 304	1000 kg
GD02-80SA08A	80mm	1"-8	100/150/200/250/300 mm	40 mm	140/190/240/290/340 mm	Stainless Steel 304	1000 kg

PIES NIVELADORES SERIE GD02

GD02 SERIES LEVELING FEET



Modelo Model	Diámetro de la Base Diameter (D)	Tamaño Roscado Threaded Size	Longitud Roscada Threaded Length (L)	Altura de Montaje Mounting Height (H)	Largo Total Total Length (L1)	Materiales de vástago roscado Threaded Stem Materials	Capacidad de Carga Loading Capacity
GD02-100S01A	100 mm	M14	100/150 mm	40mm	140/190 mm	Carbon Steel/Stainless Steel 304	600 kg
GD02-100S02A	100 mm	M16	80/100/120/150/200/250/300 mm	40 mm	120/140/160/190/240/290/340 mm	Carbon Steel/Stainless Steel 304	800 kg
GD02-100S03A	100 mm	M18	100/150 mm	41 mm	141/191 mm	Carbon Steel/Stainless Steel 304	900 kg
GD02-100S04A	100 mm	M20	80/100/120/150/200/250/300 mm	41 mm	121/141/161/191/241/291/341 mm	Carbon Steel/Stainless Steel 304	1000 kg
GD02-100S05A	100 mm	M24	100/150/200/250/300 mm	41 mm	141/191/241/291/341 mm	Carbon Steel/Stainless Steel 304	1000 kg
GD02-100SA01A	100 mm	5/8"-11	80/100/120/150/200/250/300 mm	40 mm	120/140/160/190/240/290/340 mm	Stainless Steel 304	800 kg
GD02-100SA02A	100 mm	3/4"-10	80/100/120/150/200/250/300 mm	41 mm	121/141/161/191/241/291/341 mm	Stainless Steel 304	1000 kg
GD02-100SA03A	100 mm	7/8"-9	100/150/200/250/300 mm	41 mm	141/191/241/291/341 mm	Stainless Steel 304	1000 kg
GD02-100SA04A	100 mm	1"-8	100/150/200/250/300 mm	41 mm	141/191/241/291/341 mm	Stainless Steel 304	1000 kg

Modelo Model	Diámetro de la Base Diameter (D)	Tamaño Roscado Threaded Size	Longitud Roscada Threaded Length (L)	Altura de Montaje Mounting Height (H)	Largo Total Total Length (L1)	Materiales de vástago roscado Threaded Stem Materials	Capacidad de Carga Loading Capacity
GD02-120S01A	120 mm	M14	100/150 mm	42 mm	142/192 mm	Carbon Steel/Stainless Steel 304	800 kg
GD02-120S02A	120 mm	M16	80/100/120/150/200/250/300 mm	43 mm	123/143/163/193/243/293/343 mm	Carbon Steel/Stainless Steel 304	900 kg
GD02-120S03A	120 mm	M18	100/150 mm	43 mm	143/193 mm	Carbon Steel/Stainless Steel 304	1000 kg
GD02-120S04A	120 mm	M20	80/100/120/150/200/250/300 mm	43 mm	123/143/163/193/243/293/343 mm	Carbon Steel/Stainless Steel 304	1200 kg
GD02-120S05A	120 mm	M24	100/150/200/250/300 mm	43 mm	143/193/243/293/343 mm	Carbon Steel/Stainless Steel 304	1500 kg
GD02-120SA01A	120 mm	5/8"-11	80/100/120/150/200/250/300 mm	43 mm	123/143/163/193/243/293/343 mm	Stainless Steel 304	900 kg
GD02-120SA02A	120 mm	3/4"-10	80/100/120/150/200/250/300 mm	43 mm	123/143/163/193/243/293/343 mm	Stainless Steel 304	1200 kg
GD02-120SA03A	120 mm	7/8"-9	100/150/200/250/300 mm	43 mm	143/193/243/293/343 mm	Stainless Steel 304	1300 kg
GD02-120SA04A	120 mm	1"-8	100/150/200/250/300 mm	43 mm	143/193/243/293/343 mm	Stainless Steel 304	1500 kg

PIES NIVELADORES SERIE GD02

GD02 SERIES LEVELING FEET

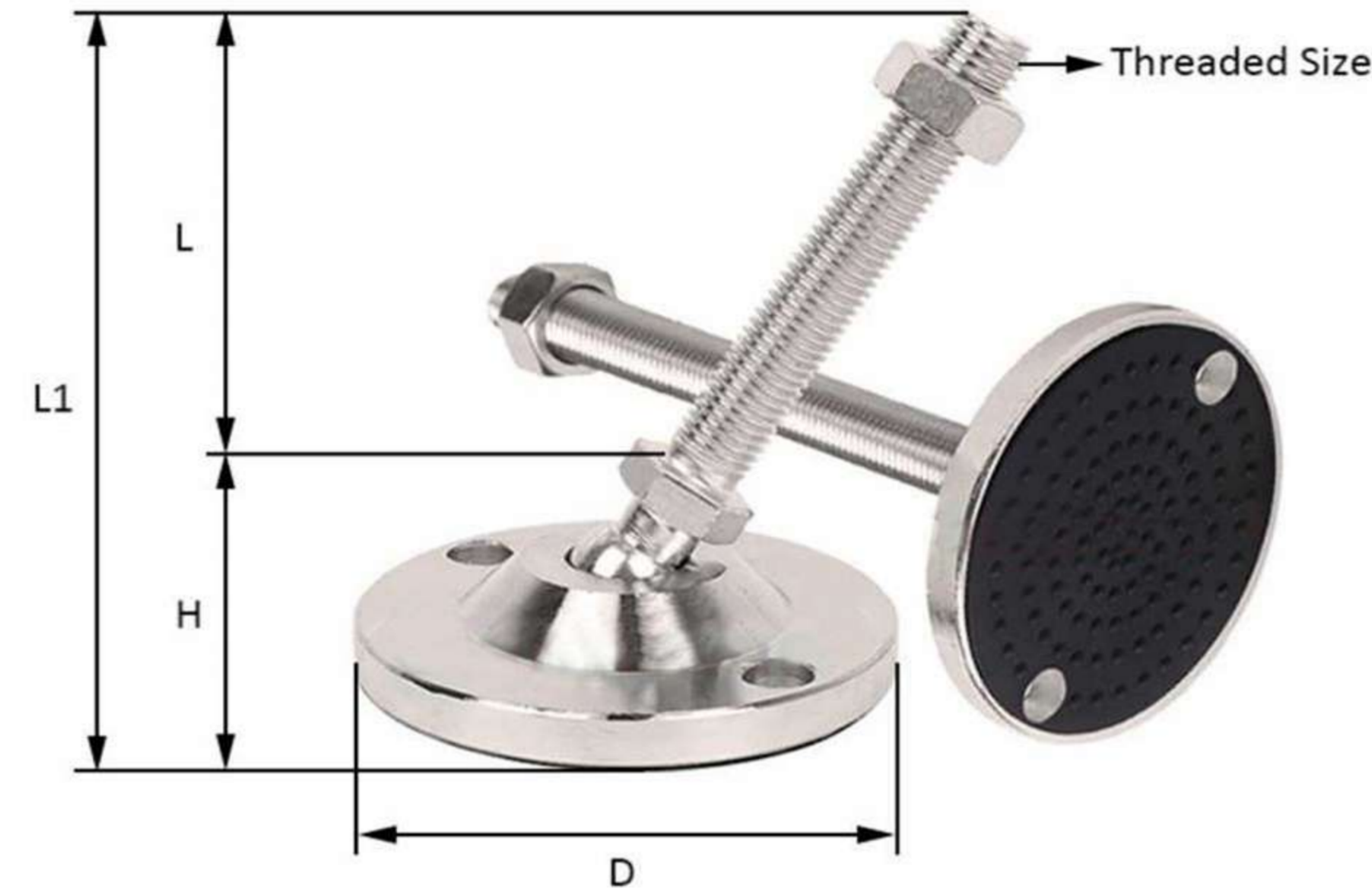


Modelo Model	Diámetro de la Base Diameter (D)	Tamaño Roscado Threaded Size	Longitud Roscada Threaded Length (L)	Altura de Montaje Mounting Height (H)	Largo Total Total Length (L1)	Materiales de vástago roscado Threaded Stem Materials	Capacidad de Carga Loading Capacity
GD02-40S01B	40 mm	M8	50/80/100/120 mm	31 mm	81/111/131/151 mm	Carbon Steel/Stainless Steel 304	100 kg
GD02-40S02B	40 mm	M10	50/80/100/120/150 mm	31 mm	81/111/131/151/181 mm	Carbon Steel/Stainless Steel 304	200 kg
GD02-40S03B	40 mm	M12	50/80/100/120/150/200 mm	31 mm	81/111/131/151/181/231 mm	Carbon Steel/Stainless Steel 304	400 kg
GD02-40SA01B	40 mm	5/16"-18	50/80/100/120 mm	31 mm	81/111/131/151 mm	Stainless Steel 304	100 kg
GD02-40SA02B	40 mm	3/8"-16	50/80/100/120/150 mm	31 mm	81/111/131/151/181 mm	Stainless Steel 304	200 kg
GD02-40SA03B	40 mm	1/2"-13	50/80/100/120/150/200 mm	31 mm	81/111/131/151/181/231 mm	Stainless Steel 304	400 kg
GD02-50S01B	50 mm	M8	50/80/100/120 mm	32 mm	82/112/132/152 mm	Carbon Steel/Stainless Steel 304	100 kg
GD02-50S02B	50 mm	M10	50/80/100/120/150 mm	32 mm	82/112/132/152/182 mm	Carbon Steel/Stainless Steel 304	200 kg
GD02-50S03B	50 mm	M12	50/80/100/120/150/200 mm	32 mm	82/112/132/152/182/232 mm	Carbon Steel/Stainless Steel 304	400 kg
GD02-50SA01B	50 mm	5/16"-18	50/80/100/120 mm	32 mm	82/112/132/152 mm	Stainless Steel 304	100 kg
GD02-50SA02B	50 mm	3/8"-16	50/80/100/120/150 mm	32 mm	82/112/132/152/182 mm	Stainless Steel 304	200 kg
GD02-50SA03B	50 mm	1/2"-13	50/80/100/120/150/200 mm	32 mm	82/112/132/152/182/232 mm	Stainless Steel 304	400 kg
GD02-60S01B	60 mm	M8	50/80/100/120 mm	33 mm	83/113/133/153 mm	Carbon Steel/Stainless Steel 304	150 kg

Modelo Model	Diámetro de la base Diameter (D)	Tamaño Roscado Threaded Size	Longitud Roscada Threaded Length (L)	Altura de Montaje Mounting Height (H)	Largo Total Total Length (L1)	Materiales de vástago roscado Threaded Stem Materials	Capacidad de Carga Loading Capacity
GD02-60S02B	60 mm	M10	50/80/100/120/150 mm	33 mm	83/113/133/153/183 mm	Carbon Steel/Stainless Steel 304	200 kg
GD02-60S03B	60 mm	M12	50/80/100/120/150/200 mm	34 mm	84/114/134/154/184/234 mm	Carbon Steel/Stainless Steel 304	500 kg
GD02-60S04B	60 mm	M14	100/150 mm	35 mm	135/185 mm	Carbon Steel/Stainless Steel 304	600 kg
GD02-60S05B	60 mm	M16	80/100/120/150/200/250/300 mm	36 mm	116/136/156/186/236/286/336 mm	Carbon Steel/Stainless Steel 304	800 kg
GD02-60S06B	60 mm	M18	100/150 mm	37 mm	137/187 mm	Carbon Steel/Stainless Steel 304	900 kg
GD02-60S07B	60 mm	M20	80/100/120/150/200/250/300 mm	38 mm	118/138/158/188/238/288/338 mm	Carbon Steel/Stainless Steel 304	1000 kg
GD02-60S08B	60 mm	M24	100/150/200/250/300 mm	38 mm	138/188/238/288/338 mm	Carbon Steel/Stainless Steel 304	1000 kg
GD02-60SA01B	60mm	5/16"-18	50/80/100/120 mm	33 mm	83/113/133/153 mm	Stainless Steel 304	150 kg
GD02-60SA02B	60mm	3/8"-16	50/80/100/120/150 mm	33 mm	83/113/133/153/183 mm	Stainless Steel 304	200 kg
GD02-60SA03B	60mm	7/16"-14	50/80/100/120/150/200mm	33 mm	83/113/133/153/183 mm	Stainless Steel 304	300 kg
GD02-60SA04B	60mm	1/2"-13	80/100/120/150/200/250/300mm	34 mm	84/114/134/154/184/234 mm	Stainless Steel 304	500 kg
GD02-60SA05B	60mm	5/8"-11	80/100/120/150/200/250/300mm	36 mm	116/136/156/186/236/286/336 mm	Stainless Steel 304	800 kg
GD02-60SA06B	60mm	3/4"-10	80/100/120/150/200/250/300mm	38 mm	118/138/158/188/238/288/338 mm	Stainless Steel 304	1000 kg
GD02-60SA07B	60mm	7/8"-9	100/150/200/250/300 mm	38 mm	138/158/188/238/288/338 mm	Stainless Steel 304	1000 kg
GD02-60SA08B	60mm	1"-8	100/150/200/250/300 mm	38 mm	138/158/188/238/288/338 mm	Stainless Steel 304	1000 kg
GD02-80S03B	80mm	M12	50/80/100/120/150/200 mm	36 mm	86/116/136/156/186/236 mm	Carbon Steel/Stainless Steel 304	500 kg
GD02-80S04B	80mm	M14	100/150 mm	36 mm	136/186 mm	Carbon Steel/Stainless Steel 304	600 kg
GD02-80S05B	80mm	M16	80/100/120/150/200/250/300 m	39 mm	119/139/159/189/239/289/339 mm	Carbon Steel/Stainless Steel 304	800 kg
GD02-80S06B	80mm	M18	100/150 mm	40 mm	140/190 mm	Carbon Steel/Stainless Steel 304	900 kg
GD02-80S07B	80mm	M20	80/100/120/150/200/250/300mm	41 mm	121/141/161/191/241/291/341 mm	Carbon Steel/Stainless Steel 304	1000 kg
GD02-80S08B	80mm	M24	100/150/200/250/300mm	41 mm	141/161/191/241/291/341 mm	Carbon Steel/Stainless Steel 304	1000 kg
GD02-80SA03B	80mm	7/16"-14	50/80/100/120/150/200 mm	36 mm	86/116/136/156/186/236 mm	Stainless Steel 304	400 kg
GD02-80SA04B	80mm	1/2"-13	50/80/100/120/150/200 mm	36 mm	86/116/136/156/186/236 mm	Stainless Steel 304	500 kg
GD02-80SA05B	80mm	5/8"-11	80/100/120/150/200/250/300mm	39 mm	119/139/159/189/239/289/339 mm	Stainless Steel 304	800 kg
GD02-80SA06B	80mm	3/4"-10	80/100/120/150/200/250/300 mm	41 mm	121/141/161/191/241/291/341 mm	Stainless Steel 304	1000 kg
GD02-80SA07B	80mm	7/8"-9	100/150/200/250/300 mm	41 mm	141/161/191/241/291/341 mm	Stainless Steel 304	1000 kg
GD02-80SA08B	80mm	1"-8	100/150/200/250/300 mm	41 mm	141/161/191/241/291/341 mm	Stainless Steel 304	1000 kg

PIES NIVELADORES SERIE GD02

GD02 SERIES LEVELING FEET

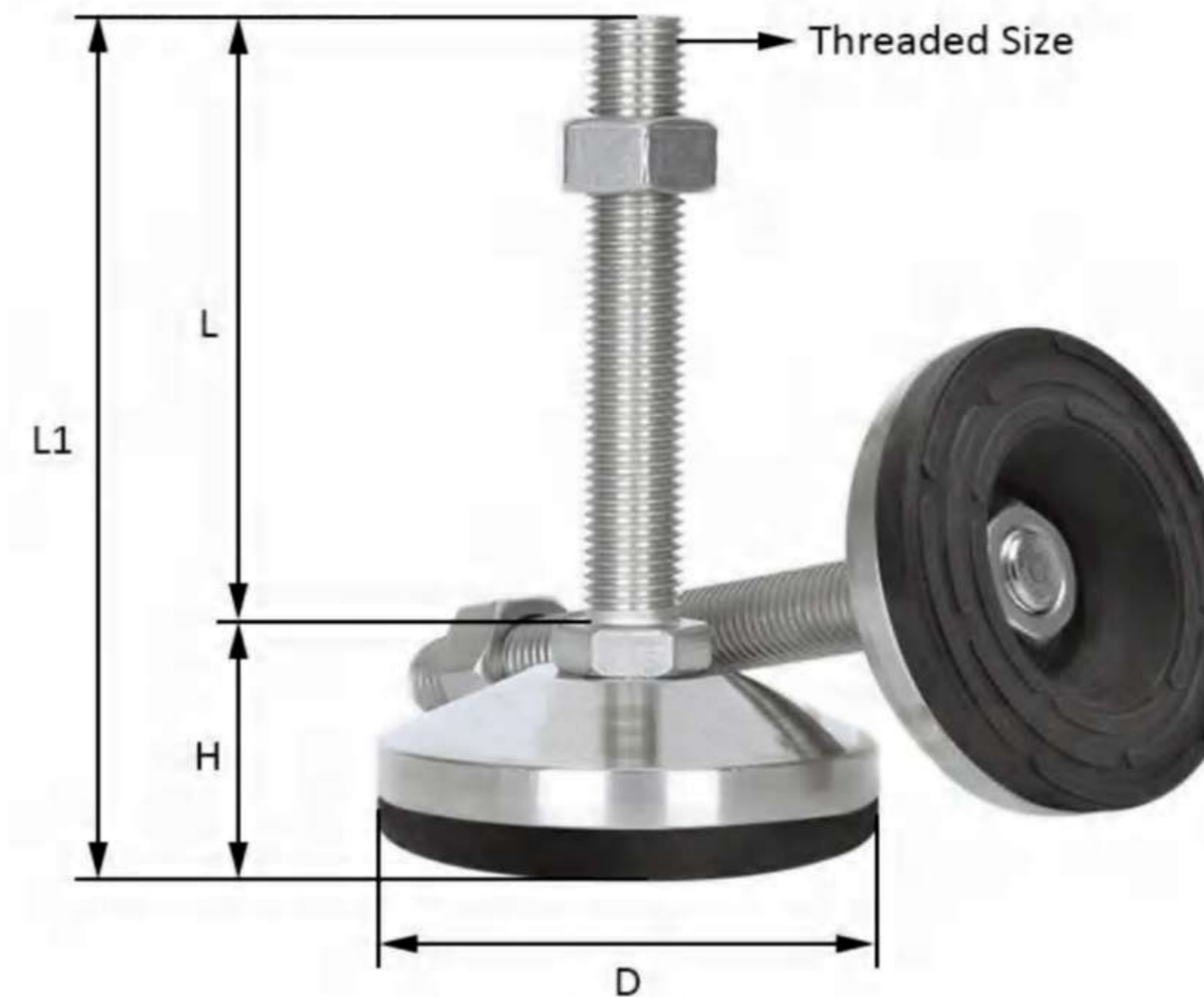


Modelo Model	Diámetro de la base Diameter (D)	Tamaño Roscado Threaded Size	Longitud Roscada Threaded Length (L)	Altura de Montaje Mounting Height (H)	Largo Total Total Length (L1)	Materiales de vástago roscado Threaded Stem Materials	Capacidad de Carga Loading Capacity
GD02-100S01B	100 mm	M14	100/150 mm	41 mm	141/191 mm	Carbon Steel/Stainless Steel 304	600 kg
GD02-100S02B	100 mm	M16	80/100/120/150/200/250/300 mm	41 mm	121/141/161/191/241/291/341 mm	Carbon Steel/Stainless Steel 304	800 kg
GD02-100S03B	100 mm	M18	100/150 mm	42 mm	142/192 mm	Carbon Steel/Stainless Steel 304	900 kg
GD02-100S04B	100 mm	M20	80/100/120/150/200/250/300 mm	42mm	122/142/162/192/242/292/342 mm	Carbon Steel/Stainless Steel 304	1000 kg
GD02-100S05B	100 mm	M24	100/150/200/250/300 mm	42 mm	142/192/242/292/342 mm	Carbon Steel/Stainless Steel 304	1000 kg
GD02-100SA01B	100 mm	5/8"-11	80/100/120/150/200/250/300 mm	41 mm	121/141/161/191/241/291/341 mm	Stainless Steel 304	800 kg
GD02-100SA02B	100 mm	3/4"-10	80/100/120/150/200/250/300 mm	42 mm	122/142/162/192/242/292/342 mm	Stainless Steel 304	1000 kg
GD02-100SA03B	100mm	7/8"-9	100/150/200/250/300 mm	42 mm	142/192/242/292/342 mm	Stainless Steel 304	1000 kg
GD02-100SA04B	100 mm	1"-8	100/150/200/250/300 mm	42 mm	142/192/242/292/342 mm	Stainless Steel 304	1000 kg

Modelo Model	Diámetro de la Base Diameter (D)	Tamaño Roscado Threaded Size	Longitud Roscada Threaded Length (L)	Altura de Montaje Mounting Height (H)	Largo Total Total Length (L1)	Materiales de vástago roscado Threaded Stem Materials	Capacidad de Carga Loading Capacity
GD02-120S01B	120 mm	M14	100/150 mm	43 mm	143/193 mm	Carbon Steel/Stainless Steel 304	800 kg
GD02-120S02B	120 mm	M16	80/100/120/150/200/250/300 mm	44 mm	124/144/164/194/244/294/344 mm	Carbon Steel/Stainless Steel 304	900 kg
GD02-120S03B	120 mm	M18	100/150 mm	44 mm	144/194 mm	Carbon Steel/Stainless Steel 304	1000 kg
GD02-120S04B	120 mm	M20	80/100/120/150/200/250/300 mm	44 mm	124/144/164/194/244/294/344 mm	Carbon Steel/Stainless Steel 304	1200 kg
GD02-120S05B	120 mm	M24	100/150/200/250/300 mm	44 mm	144/164/194/244/294/344 mm	Carbon Steel/Stainless Steel 304	1500 kg
GD02-120SA01B	120 mm	5/8"-11	80/100/120/150/200/250/300 mm	44 mm	124/144/164/194/244/294/344 mm	Stainless Steel 304	900 kg
GD02-120SA02B	120 mm	3/4"-10	80/100/120/150/200/250/300 mm	44 mm	124/144/164/194/244/294/344 mm	Stainless Steel 304	1200 kg
GD02-120SA03B	120 mm	7/8"-9	100/150/200/250/300 mm	44 mm	144/164/194/244/294/344 mm	Stainless Steel 304	1300 kg
GD02-120SA04B	120 mm	1"-8	100/150/200/250/300 mm	44 mm	144/164/194/244/294/344 mm	Stainless Steel 304	1500 kg

PIES NIVELADORES SERIE GD03

GD03 SERIES LEVELING FEET

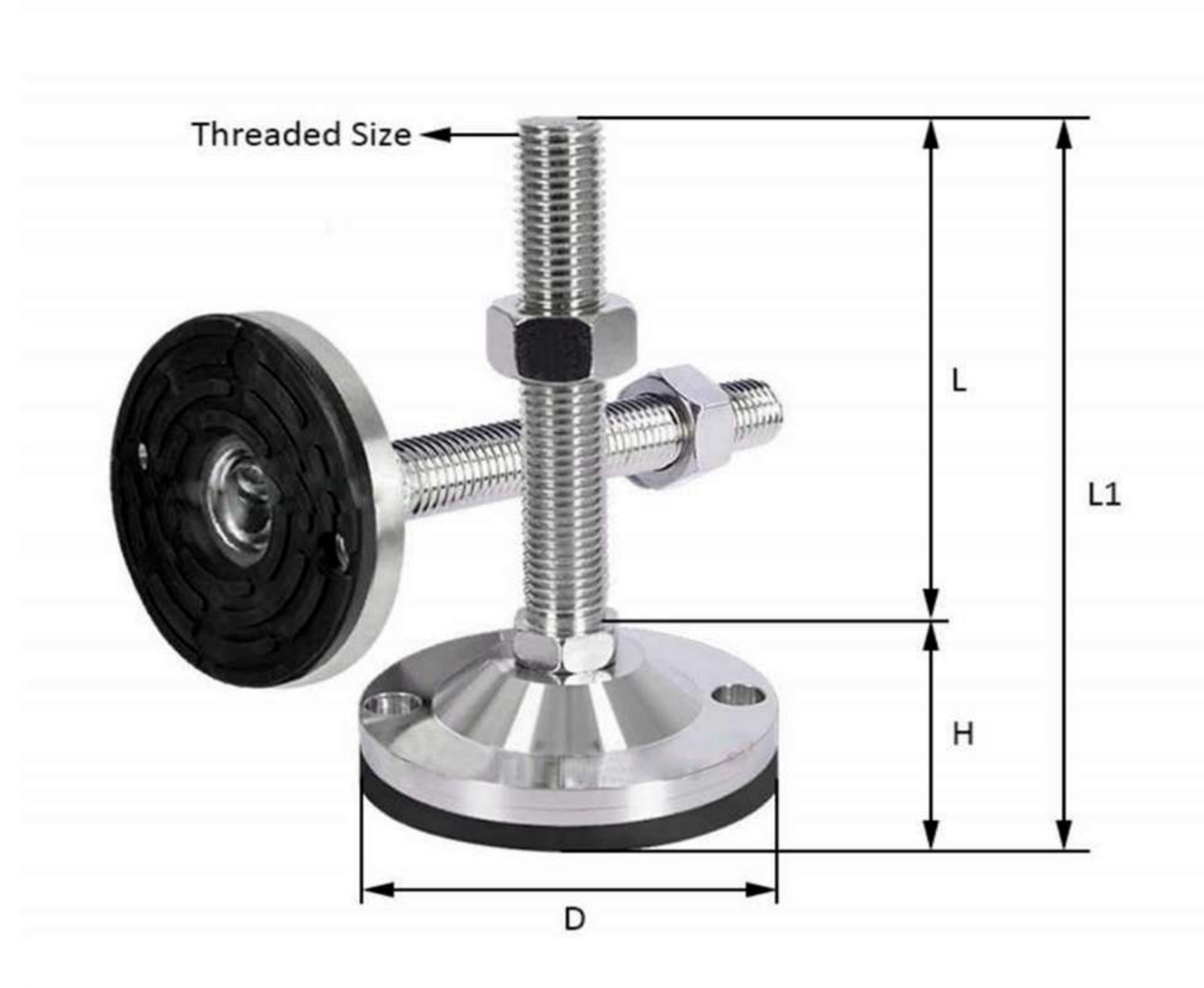


Modelo Model	Diámetro de la Base Diameter (D)	Tamaño Roscado Threaded Size	Longitud Roscada Threaded Length (L)	Altura de Montaje Mounting Height (H)	Largo Total Total Length (L1)	Materiales de vástago roscado Threaded Stem Materials	Capacidad de Carga Loading Capacity
GD03-40FA01	40 mm	M8	50/80/100/120 mm	33 mm	83/113/133/153 mm	Carbon Steel/Stainless Steel 304	100 kg
GD03-40FA02	40 mm	M10	50/80/100/120/150 mm	34 mm	84/114/134/154/184 mm	Carbon Steel/Stainless Steel 304	200 kg
GD03-40FA03	40 mm	M12	50/80/100/120/150/200 mm	34 mm	84/114/134/154/184/234 mm	Carbon Steel/Stainless Steel 304	400 kg
GD03-40FAA01	40 mm	5/16"-18	50/80/100/120 mm	33 mm	83/113/133/153 mm	Stainless Steel 304	100 kg
GD03-40FAA02	40 mm	3/8"-16	50/80/100/120/150 mm	34 mm	84/114/134/154/184 mm	Stainless Steel 304	200 kg
GD03-40FAA03	40 mm	1/2"-13	50/80/100/120/150/200 mm	34 mm	84/114/134/154/184/234 mm	Stainless Steel 304	400 kg
GD03-50FA01	50 mm	M8	50/80/100/120 mm	33 mm	83/113/133/153 mm	Carbon Steel/Stainless Steel 304	100 kg
GD03-50FA02	50 mm	M10	50/80/100/120/150 mm	34 mm	84/114/134/154/184 mm	Carbon Steel/Stainless Steel 304	200 kg
GD03-50FA03	50 mm	M12	50/80/100/120/150/200 mm	34 mm	84/114/134/154/184/234 mm	Carbon Steel/Stainless Steel 304	400 kg
GD0350FAA01	50 mm	5/16"-18	50/80/100/120 mm	33 mm	83/113/133/153 mm	Stainless Steel 304	100 kg
GD03-50FAA02	50 mm	3/8"-16	50/80/100/120/150 mm	34 mm	84/114/134/154/184 mm	Stainless Steel 304	200 kg
GD03-50FAA03	50 mm	1/2"-13	50/80/100/120/150/200 mm	34 mm	84/114/134/154/184/234 mm	Stainless Steel 304	400 kg
GD03-60FA01	60 mm	M10	50/80/100/120/150 mm	36 mm	86/116/136/156/186 mm	Carbon Steel/Stainless Steel 304	200 kg
GD03-60FA02	60 mm	M12	50/80/100/120/150/200 mm	36 mm	86/116/136/156/186/236 mm	Carbon Steel/Stainless Steel 304	500 kg
GD03-60FA03	60 mm	M14	100/120/150 mm	37 mm	137/157/187 mm	Carbon Steel/Stainless Steel 304	600 kg

Modelo Model	Diámetro de la Base Base Diameter (D)	Tamaño Roscado Threaded Size	Longitud Roscada Threaded Length (L)	Altura de Montaje Mounting Height (H)	Largo Total Total Length (L1)	Materiales de vástago roscado Threaded Stem Materials	Capacidad de Carga Loading Capacity
GD03-60FA04	60mm	M16	80/100/120/150/200/250/300 mm	39 mm	119/139/159/189/239/289/339 mm	Carbon Steel/Stainless Steel 304	800 kg
GD03-60FA05	60mm	M18	100/120/150 mm	40 mm	140/160/190 mm	Carbon Steel/Stainless Steel 304	900 kg
GD03-60FA06	60mm	M20	80/100/120/150/200/250/300 mm	41 mm	121/141/161/191/241/291/341mm	Carbon Steel/Stainless Steel 304	1000 kg
GD03-60FA07	60mm	M24	100/150/200/250/300 mm	42 mm	142/192/242/292/342 mm	Carbon Steel/Stainless Steel 304	1000 kg
GD03-60FAA01	60mm	3/8"-16	50/80/100/120/150 mm	36 mm	86/116/136/156/186 mm	Stainless Steel 304	200 kg
GD03-60FAA02	60mm	1/2"-13	50/80/100/120/150/200 mm	36 mm	86/116/136/156/186/236 mm	Stainless Steel 304	500 kg
GD03-60FAA03	60mm	5/8"-11	80/100/120/150/200/250/300 mm	39 mm	119/139/159/189/239/289/339 mm	Stainless Steel 304	800 kg
GD03-60FAA04	60mm	3/4"-10	80/100/120/150/200/250/300 mm	41 mm	121/141/161/191/241/291/341mm	Stainless Steel 304	1000 kg
GD03-60FAA05	60mm	1"-8	100/150/200/250/300 mm	42 mm	142/192/242/292/342 mm	Stainless Steel 304	1000 kg
GD03-80FA01	80mm	M12	50/80/100/120/150/200 mm	40 mm	90/120/140/160/190/240 mm	Carbon Steel/Stainless Steel 304	500 kg
GD03-80FA02	80mm	M14	100/150 mm	40 mm	140/190 mm	Carbon Steel/Stainless Steel 304	600 kg
GD03-80FA03	80mm	M16	80/100/120/150/200/250/300 mm	40 mm	120/140/160/190/240/290/340 mm	Carbon Steel/Stainless Steel 304	800 kg
GD03-80FA04	80mm	M18	100/150 mm	41 mm	140/190 mm	Carbon Steel/Stainless Steel 304	900 kg
GD03-80FA05	80mm	M20	80/100/120/150/200/250/300 mm	41 mm	121/141/161/191/241/291/341 mm	Carbon Steel/Stainless Steel 304	1000 kg
GD03-80FA06	80mm	M24	100/150/200/250/300 mm	41 mm	141/191/241/291/341 mm	Carbon Steel/Stainless Steel 304	1000 kg
GD03-80FAA01	80mm	1/2"-13	50/80/100/120/150/200 mm	40 mm	90/120/140/160/190/240 mm	Stainless Steel 304	500 kg
GD03-80FAA02	80mm	5/8"-11	80/100/120/150/200/250/300 mm	40 mm	120/140/160/190/240/290/340 mm	Stainless Steel 304	800 kg
GD03-80FAA03	80mm	3/4"-10	80/100/120/150/200/250/300 mm	41 mm	121/141/161/191/241/291/341mm	Stainless Steel 304	1000 kg
GD03-80FAA04	80mm	1"-8	100/150/200/250/300 mm	41 mm	141/191/241/291/341 mm	Stainless Steel 304	1000 kg
GD03-100FA01A	100mm	M14	100/150 mm	40 mm	140/190 mm	Carbon Steel/Stainless Steel 304	600 kg
GD03-100FA02A	100mm	M16	80/100/120/150/200/250/300 mm	40 mm	120/140/160/190/240/290/340 mm	Carbon Steel/Stainless Steel 304	800 kg
GD03-100FA03A	100mm	M18	100/150 mm	42 mm	142/192 mm	Carbon Steel/Stainless Steel 304	900 kg
GD03-100FA04A	100mm	M20	80/100/120/150/200/250/300 mm	42 mm	122/142/162/192/242/292/342 mm	Carbon Steel/Stainless Steel 304	1000 kg
GD03-100FA05A	100mm	M24	100/150/200/250/300 mm	42 mm	142/192f242/292/342 mm	Carbon Steel/Stainless Steel 304	1000 kg
GD03-100FA06A	100mm	M30	100/150/200/250/300 mm	45 mm	145/195/245/295/345 mm	Carbon Steel/Stainless Steel 304	1500 kg
GD03-100FAA01A	100mm	5/8"-11	80/100/120/150/200/250/300 mm	40 mm	120/140/160/190/240/290/340 mm	Stainless Steel 304	800 kg
GD03-100FAA02A	100mm	3/4"-10	80/100/120/150/200/250/300 mm	42 mm	122/142/162/192/242/292/342 mm	Stainless Steel 304	1000 kg
GD03-100FAA04A	100mm	1"-8	100/150/200/250/300 mm	42 mm	142/192/242/292/342 mm	Stainless Steel 304	1000 kg

PIES NIVELADORES SERIE GD03

GD03 SERIES LEVELING FEET

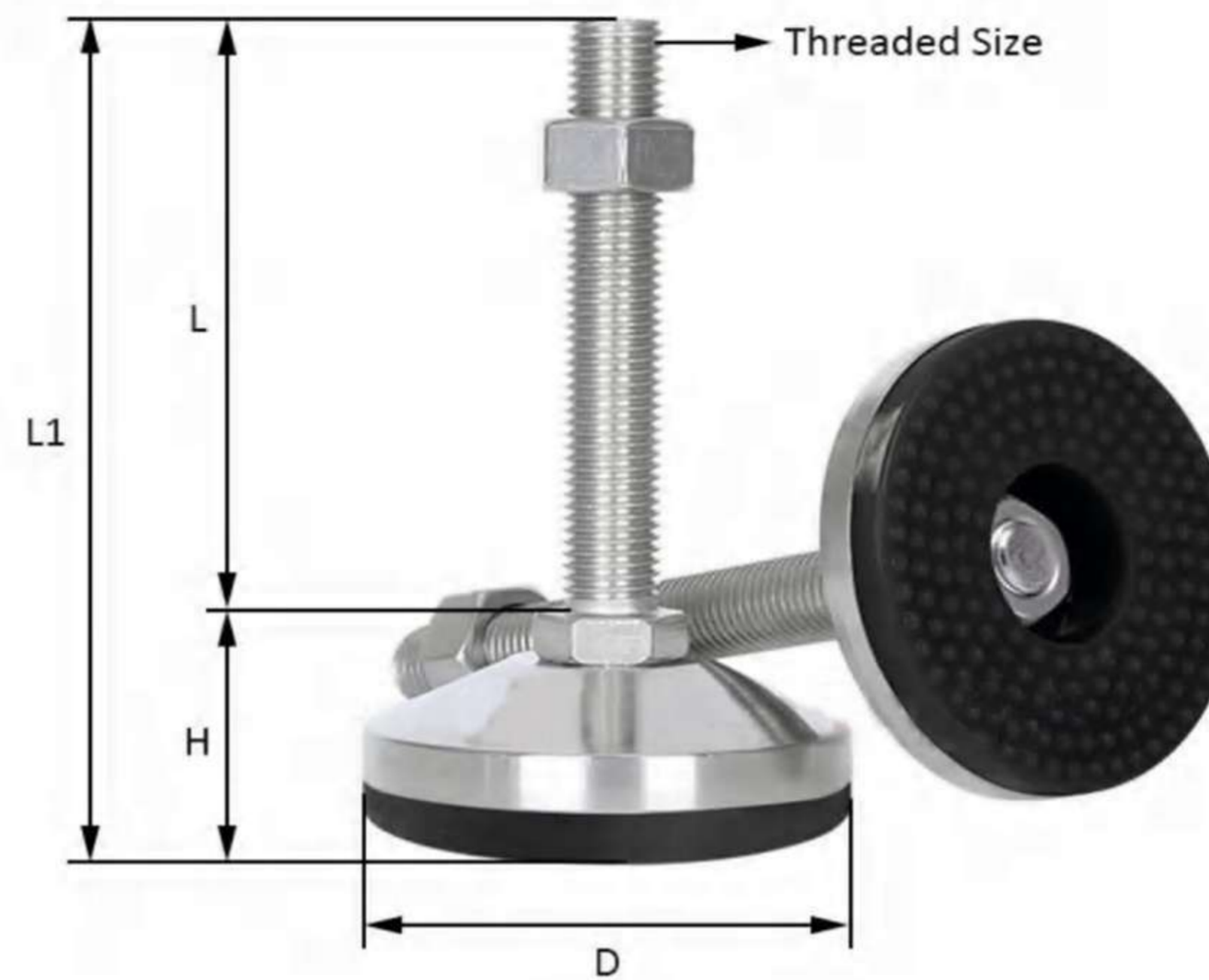


Modelo Model	Diámetro de la Base Base Diameter (D)	Tamaño Roscado Threaded Size	Longitud Roscada Threaded Length (L)	Altura de Montaje Mounting Height (H)	Largo Total Total Length (L1)	Materiales de vástago roscado Threaded Stem Materials	Capacidad de Carga Loading Capacity
GD03-100FA01B	100 mm	M14	100/150 mm	40mm	140/190 mm	Carbon Steel/Stainless Steel 304	600 kg
GD03-100FA02B	100 mm	M16	80/100/120/150/200/250/300 mm	40mm	120/140/160/190/240/290/340 mm	Carbon Steel/Stainless Steel 304	800 kg
GD03-100FA03B	100 mm	M18	100/150 mm	42 mm	142/192 mm	Carbon Steel/Stainless Steel 304	900 kg
GD03-100FA04B	100 mm	M20	80/100/120/150/200/250/300 mm	42 mm	122/142/162/192/242/292/342 mm	Carbon Steel/Stainless Steel 304	1000 kg
GD03-100FA05B	100 mm	M24	100/150/200/250/300 mm	42 mm	142/192/242/292/342 mm	Carbon Steel/Stainless Steel 304	1000 kg
GD03-100FA06B	100 mm	M30	100/150/200/250/300 mm	45 mm	145/195/245/295/345 mm	Carbon Steel/Stainless Steel 304	1500 kg
GD03-100FAA01B	100 mm	5/8"-11	80/100/120/150/200/250/300 mm	40 mm	120/140/160/190/240/290/340mm	Stainless Steel 304	800 kg
GD03-100FAA02B	100 mm	3/4"-10	80/100/120/150/200/250/300 mm	42 mm	122/142/162/192/242/292/342 mm	Stainless Steel 304	1000 kg
GD03-100FAA03B	100 mm	1"-8	100/150/200/250/300mm	42 mm	142/192/242/292/342mm	Stainless Steel 304	1000kg

Modelo Model	Diámetro de la Base Diameter (D)	Tamaño Roscado Threaded Size	Longitud Roscada Threaded Length (L)	Altura de Montaje Mounting Height (H)	Largo Total Total Length (L1)	Materiales de vástago roscado Threaded Stem Materials	Capacidad de Carga Loading Capacity
GD02-120FA01	120 mm	M14	100/150 mm	42 mm	142/192 mm	Carbon Steel/Stainless Steel 304	800 kg
GD02-120FA02	120 mm	M16	80/100/120/150/200/250/300 mm	43 mm	123/143/163/193/243/293/343 mm	Carbon Steel/Stainless Steel 304	900 kg
GD02-120FA03	120 mm	M18	100/150 mm	45 mm	145/195 mm	Carbon Steel/Stainless Steel 304	1000 kg
GD02-120FA04	120 mm	M20	80/100/120/150/200/250/300 mm	45 mm	125/145/165/195/245/295/345 mm	Carbon Steel/Stainless Steel 304	1200 kg
GD02-120FA05	120 mm	M24	100/150/200/250/300 mm	45 mm	145/195/243/293/343 mm	Carbon Steel/Stainless Steel 304	1500 kg
GD02-120FA06	120 mm	M30	100/150/200/250/300 mm	48 mm	148/198/248/298/348 mm	Carbon Steel/Stainless Steel 304	2000 kg
GD02-120FAA01	120 mm	5/8"-11	80/100/120/150/200/250/300 mm	43 mm	123/143/163/193/243/293/343 mm	Stainless Steel 304	900 kg
GD02-120FAA02	120 mm	3/4"-10	80/100/120/150/200/250/300 mm	45 mm	125/145/165/195/245/295/345 mm	Stainless Steel 304	1200 kg
GD02-120FAA03	120 mm	1"-8	100/150/200/250/300 mm	45 mm	145/195/243/293/343 mm	Stainless Steel 304	1500 kg
GD02-150FA01	150 mm	M14	100/150 mm	50 mm	150/200 mm	Carbon Steel/Stainless Steel 304	900 kg
GD02-150FA02	150 mm	M16	80/100/120/150/200/250/300 mm	50 mm	130/150/170/200/250/300/350 mm	Carbon Steel/Stainless Steel 304	1000 kg
GD02-150FA03	150 mm	M18	100/150 mm	50 mm	152/202 mm	Carbon Steel/Stainless Steel 304	1200 kg
GD02-150FA04	150 mm	M20	80/100/120/150/200/250/300 mm	50 mm	132/152/172/202/252/302/352 mm	Carbon Steel/Stainless Steel 304	1500 kg
GD02-150FA05	150 mm	M24	100/150/200/250/300 mm	50 mm	152/202/252/302/352 mm	Carbon Steel/Stainless Steel 304	1800 kg
GD02-150FA06	150 mm	M30	100/150/200/250/300 mm	50 mm	155/205/255/305/355 mm	Carbon Steel/Stainless Steel 304	2200 kg
GD02-150FAA01	150 mm	5/8"-11	80/100/120/150/200/250/300 mm	50 mm	130/150/170/200/250/300/350 mm	Stainless Steel 304	1000 kg
GD02-150FAA02	150 mm	3/4"-10	80/100/120/150/200/250/300 mm	50 mm	132/152/172/202/252/302/352 mm	Stainless Steel 304	1800 kg
GD02-150FAA03	150 mm	1"-8	100/150/200/250/300 mm	50 mm	152/202/252/302/352 mm	Stainless Steel 304	2200 kg

PIES NIVELADORES SERIE GD03

GD03 SERIES LEVELING FEET



Modelo Model	Diámetro de la Base Base Diameter (D)	Tamaño Roscado Threaded Size	Longitud Roscada Threaded Length (L)	Altura de Montaje Mounting Height (H)	Largo Total Total Length (L1)	Materiales de vástago roscado Threaded Stem Materials	Capacidad de Carga Loading Capacity
GD03-40FB01	40 mm	M8	50/80/100/120 mm	33 mm	83/113/133/153 mm	Carbon Steel/Stainless Steel 304	100 kg
GD03-40FB02	40 mm	M10	50/80/100/120/150 mm	34 mm	84/114/134/154/184 mm	Carbon Steel/Stainless Steel 304	200 kg
GD03-40FB03	40 mm	M12	50/80/100/120/150/200 mm	34 mm	84/114/134/154/184/234 mm	Carbon Steel/Stainless Steel 304	400 kg
GD03-40FBA01	40 mm	5/16"-18	50/80/100/120 mm	33 mm	83/113/133/153 mm	Stainless Steel 304	100 kg
GD03-40FBA02	40 mm	3/8"-16	50/80/100/120/150 mm	34 mm	84/114/134/154/184 mm	Stainless Steel 304	200 kg
GD03-40FBA03	40 mm	1/2"-13	50/80/100/120/150/200 mm	34 mm	84/114/134/154/184/234 mm	Stainless Steel 304	400 kg
GD03-50FB01	50 mm	M8	50/80/100/120 mm	33 mm	83/113/133/153 mm	Carbon Steel/Stainless Steel 304	100 kg
GD03-50FB02	50 mm	M10	50/80/100/120/150 mm	34 mm	84/114/134/154/184 mm	Carbon Steel/Stainless Steel 304	200 kg
GD03-50FB03	50 mm	M12	50/80/100/120/150/200 mm	34 mm	84/114/134/154/184/234 mm	Carbon Steel/Stainless Steel 304	400 kg
GD03-50FBA01	50 mm	5/16"-18	50/80/100/120 mm	33 mm	83/113/133/153 mm	Stainless Steel 304	100 kg
GD03-50FBA02	50 mm	3/8"-16	50/80/100/120/150 mm	34 mm	84/114/134/154/184 mm	Stainless Steel 304	200 kg
GD03-50FBA03	50 mm	1/2"-13	50/80/100/120/150/200 mm	34 mm	84/114/134/154/184/234 mm	Stainless Steel 304	400 kg
GD03-60FB01	60 mm	M10	50/80/100/120/150 mm	36 mm	86/116/136/156/186 mm	Carbon Steel/Stainless Steel 304	200 kg
GD03-60FB02	60 mm	M12	50/80/100/120/150/200 mm	36 mm	86/116/136/156/186/236 mm	Carbon Steel/Stainless Steel 304	500 kg

Modelo Model	Diámetro de la base Diameter (D)	Tamaño Roscado Threaded Size	Longitud Roscada Threaded Length (L)	Altura de Montaje Mounting Height (H)	Largo Total Total Length (L1)	Materiales de vástago roscado Threaded Stem Materials	Capacidad de Carga Loading Capacity
GD03-60FB03	60 mm	M14	100/120/150 mm	37 mm	135/157/187 mm	Carbon Steel/Stainless Steel 304	600 kg
GD03-60FB04	60 mm	M16	80/100/120/150/200/250/300 mm	39 mm	119/139/159/189/239/289/339 mm	Carbon Steel/Stainless Steel 304	800 kg
GD03-60FB05	60 mm	M18	100/120/150 mm	40 mm	140/160/190 mm	Carbon Steel/Stainless Steel 304	900 kg
GD03-60FB06	60 mm	M20	80/100/120/150/200/250/300 mm	41 mm	121/141/161/191/241/291/341 mm	Carbon Steel/Stainless Steel 304	1000 kg
GD03-60FB07	60 mm	M24	100/150/200/250/300 mm	42 mm	142/192/242/292/342 mm	Carbon Steel/Stainless Steel 304	1000 kg
GD03-60FBA01	60 mm	3/8"-16	50/80/100/120/150 mm	36 mm	86/116/136/159/186 mm	Stainless Steel 304	200 kg
GD03-60FBA01	60 mm	1/2"-13	50/80/100/120/150/200 mm	36 mm	86/116/136/159/186/236 mm	Stainless Steel 304	500 kg
GD03-60FBA03	60 mm	5/8"-11	80/100/120/150/200/250/300 mm	39 mm	119/139/159/189/239/289/339 mm	Stainless Steel 304	800 kg
GD03-60FBA04	60 mm	3/4"-10	80/100/120/150/200/250/300 mm	41 mm	121/141/161/191/241/291/341 mm	Stainless Steel 304	1000 kg
GD03-60FBA05	60mm	1"-8	100/150/200/250/300 mm	42 mm	142/192/242/292/342 mm	Stainless Steel 304	1000 kg
GD03-80FB01	80mm	M12	50/80/100/120/150/200 mm	40 mm	90/120/140/160/190/240 mm	Carbon Steel/Stainless Steel 304	500 kg
GD03-80FB02	80mm	M14	100/150 mm	40 mm	140/190 mm	Carbon Steel/Stainless Steel 304	600 kg
GD03-80FB03	80mm	M16	80/100/120/150/200/250/300 mm	40 mm	120/140/160/190/240/290/340 mm	Carbon Steel/Stainless Steel 304	800 kg
GD03-80FB04	80mm	M18	100/150 mm	41 mm	141/191 mm	Carbon Steel/Stainless Steel 304	900 kg
GD03-80FB05	80mm	M20	80/100/120/150/200/250/300 mm	41 mm	121/141/161/191/241/291/341 mm	Carbon Steel/Stainless Steel 304	1000 kg
GD03-80FB06	80mm	M24	100/150/200/250/300 mm	41 mm	141/161/191/241/291/341 mm	Carbon Steel/Stainless Steel 304	1000 kg
GD03-80FBA01	80mm	1/2"-13	50/80/100/120/150/200 mm	40 mm	90/120/140/160/190/240 mm	Stainless Steel 304	500 kg
GD03-80FBA02	80mm	5/8"-11	80/100/120/150/200/250/300 mm	40 mm	120/140/160/190/240/290/340 mm	Stainless Steel 304	800 kg
GD03-80FBA03	80mm	3/4"-10	80/100/120/150/200/250/300 mm	41 mm	121/141/161/191/241/291/341 mm	Stainless Steel 304	1000 kg
GD03-80FBA04	80mm	1"-8	100/150/200/250/300 mm	41 mm	141/161/191/241/291/341 mm	Stainless Steel 304	1000 kg
GD03-100FB01A	100mm	M14	100/150 mm	40 mm	140/190 mm	Carbon Steel/Stainless Steel 304	600 kg
GD03-100FB02A	100mm	M16	80/100/120/150/200/250/300 mm	40 mm	120/140/160/190/240/290/340 mm	Carbon Steel/Stainless Steel 304	800 kg
GD03-100FB03A	100mm	M18	100/150 mm	42 mm	142/192 mm	Carbon Steel/Stainless Steel 304	900 kg
GD03-100FB04A	100mm	M20	80/100/120/150/200/250/300 mm	42 mm	122/142/162/192/242/292/342 mm	Carbon Steel/Stainless Steel 304	1000 kg
GD03-100FB05A	100mm	M24	100/150/200/250/300 mm	42 mm	142/192/242/292/342 mm	Carbon Steel/Stainless Steel 304	1000 kg
GD03-100FB06A	100mm	M30	100/150/200/250/300 mm	45 mm	145/195/245/295/345 mm	Carbon Steel/Stainless Steel 304	1500 kg
GD03-100FBA01A	100mm	5/8"-11	80/100/120/150/200/250/300 mm	40 mm	120/140/160/190/240/290/340 mm	Stainless Steel 304	800 kg
GD03-100FBA02A	100mm	3/4"-10	80/100/120/150/200/250/300 mm	42 mm	122/142/162/192/242/292/342 mm	Stainless Steel 304	1000 kg
GD03-100FBA04A	100mm	1"-8	100/150/200/250/300 mm	42 mm	142/192/242/292/342 mm	Stainless Steel 304	1000 kg

PIES NIVELADORES SERIE GD03

GD03 SERIES LEVELING FEET

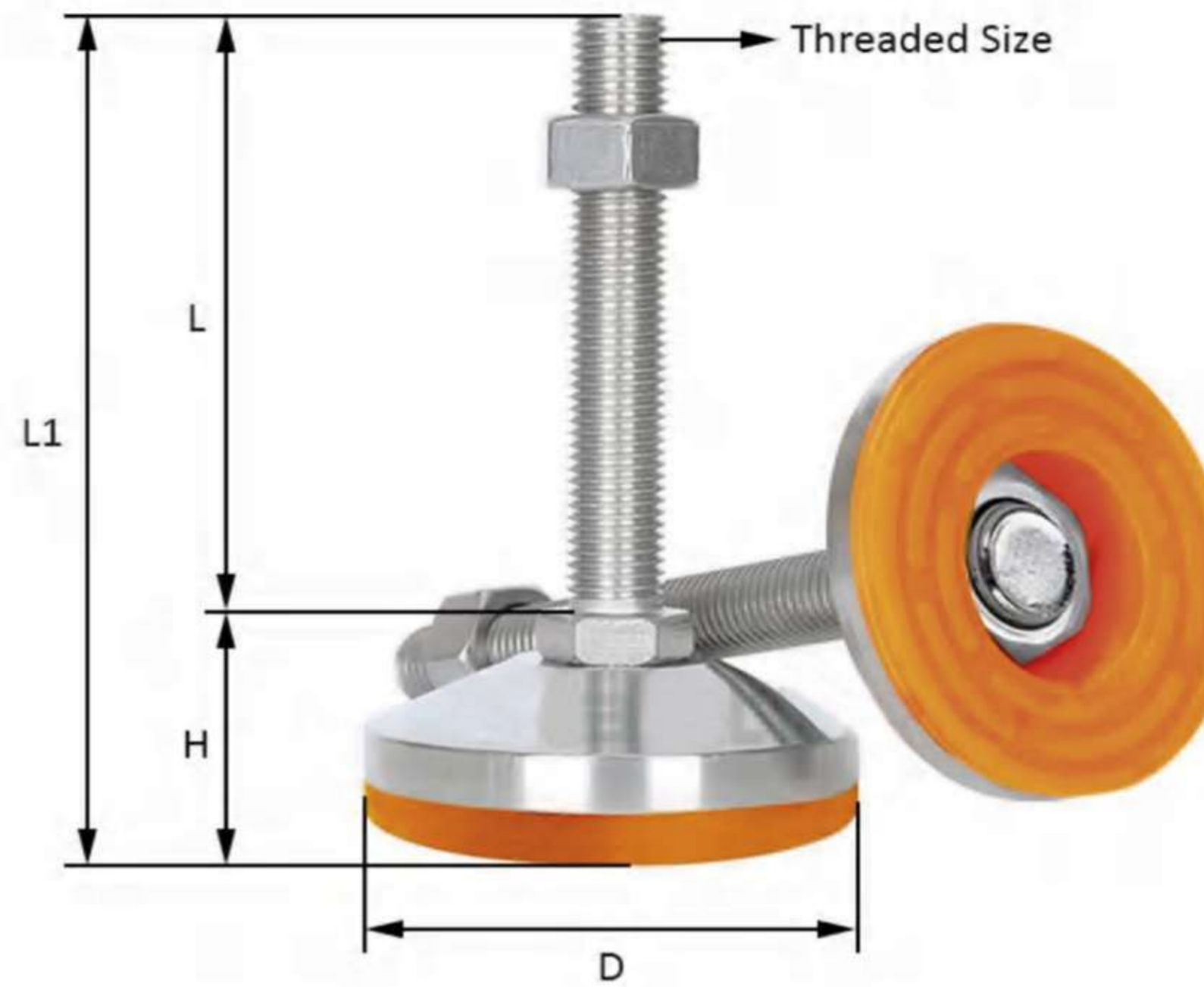


Modelo Model	Diámetro de la base Base Diameter (D)	Tamaño Roscado Threaded Size	Longitud Roscada Threaded Length (L)	Altura de Montaje Mounting Height (H)	Largo Total Total Length (L1)	Materiales de vástago roscado Threaded Stem Materials	Capacidad de Carga Loading Capacity
GD03-100FB01B	100 mm	M14	100/150 mm	40 mm	140/190 mm	Carbon Steel/Stainless Steel 304	600 kg
GD03-100FB02B	100 mm	M16	80/100/120/150/200/250/300 mm	40 mm	120/140/160/190/240/290/340 mm	Carbon Steel/Stainless Steel 304	800 kg
GD03-100FB03B	100 mm	M18	100/150 mm	42 mm	142/192 mm	Carbon Steel/Stainless Steel 304	900 kg
GD03-100FB04B	100 mm	M20	80/100/120/150/200/250/300 mm	42 mm	122/142/162/192/242/292/342 mm	Carbon Steel/Stainless Steel 304	1000 kg
GD03-100FB05B	100 mm	M24	100/150/200/250/300 mm	42 mm	142/192/242/292/342 mm	Carbon Steel/Stainless Steel 304	1000 kg
GD03-100FB06B	100 mm	M30	100/150/200/250/300 mm	45 mm	145/195/245/295/345 mm	Carbon Steel/Stainless Steel 304	1500 kg
GD03-100FBA01B	100 mm	5/8"-11	80/100/120/150/200/250/300 mm	40 mm	120/140/160/190/240/290/340 mm	Stainless Steel 304	800 kg
GD03-100FBA02B	100mm	3/4"-10	80/100/120/150/200/250/300 mm	42 mm	122/142/162/192/242/292/342 mm	Stainless Steel 304	1000kg
GD03-100FBA03B	100 mm	1"-8	100/150/200/250/300 mm	42 mm	142/192/242/292/342 mm	Stainless Steel 304	1000 kg

Modelo Model	Diámetro de la base Base Diameter (D)	Tamaño Roscado Threaded Size	Longitud Roscada Threaded Length (L)	Altura de Montaje Mounting Height (H)	Largo Total Total Length (L1)	Materiales de vástago roscado Threaded Stem Materials	Capacidad de Carga Loading Capacity
GD03-120FB01	120 mm	M14	100/120/150 mm	42 mm	142/192 mm	Carbon Steel/Stainless Steel 304	800 kg
GD03-120FB02	120 mm	M16	80/100/120/150/200/250/300 mm	43 mm	123/143/163/193/243/293/343 mm	Carbon Steel/Stainless Steel 304	900 kg
GD03-120FB03	120 mm	M18	100/150 mm	45 mm	145/195 mm	Carbon Steel/Stainless Steel 304	1000 kg
GD03-120FB04	120 mm	M20	80/100/120/150/200/250/300 mm	45 mm	125/145/165/195/245/295/345 mm	Carbon Steel/Stainless Steel 304	1200 kg
GD03-120FB05	120 mm	M24	100/150/200/250/300 mm	45 mm	145/165/195/245/295/345 mm	Carbon Steel/Stainless Steel 304	1500 kg
GD03-120FB06	120 mm	M30	100/150/200/250/300 mm	48 mm	148/198/248/298/348 mm	Carbon Steel/Stainless Steel 304	2000 kg
GD03-120FBA01	120 mm	5/8"-11	80/100/120/150/200/250/300 mm	43 mm	123/143/163/193/243/293/343 mm	Stainless Steel 304	900 kg
GD03-120FBA02	120 mm	3/4"-10	80/100/120/150/200/250/300 mm	45 mm	125/145/165/195/245/295/345 mm	Stainless Steel 304	1200 kg
GD03-120FBA03	120 mm	1"-8	100/150/200/250/300 mm	45 mm	145/165/195/245/295/345 mm	Stainless Steel 304	1500 kg
GD03-150FB01	150mm	M14	100/150 mm	50 mm	150/200 mm	Carbon Steel/Stainless Steel 304	900 kg
GD03-150FB02	150mm	M16	80/100/120/150/200/250/300 mm	50 mm	130/150/170/200/250/300/350 mm	Carbon Steel/Stainless Steel 304	1000 kg
GD03-150FB03	150mm	M18	100/150 mm	52 mm	152/202 mm	Carbon Steel/Stainless Steel 304	1200 kg
GD03-150FB04	150mm	M20	80/100/120/150/200/250/300 mm	52 mm	132/152/172/202/252/302/352 mm	Carbon Steel/Stainless Steel 304	1500 kg
GD03-150FB05	150mm	M24	100/150/200/250/300 mm	52 mm	152/202/252/302/352 mm	Carbon Steel/Stainless Steel 304	1800 kg
GD03-150FB06	150mm	M30	100/150/200/250/300 mm	55 mm	155/205/255/305/355 mm	Carbon Steel/Stainless Steel 304	2200 kg
GD03-150FBA01	150mm	5/8"-11	80/100/120/150/200/250/300 mm	50 mm	130/150/170/200/250/300/350 mm	Stainless Steel 304	1000 kg
GD03-150FBA02	150mm	3/4"-10	80/100/120/150/200/250/300 mm	52 mm	132/152/172/202/252/302/352 mm	Stainless Steel 304	1800 kg
GD03-150FBA03	150mm	1"-8	100/150/200/250/300 mm	52 mm	152/202/252/302/352 mm	Stainless Steel 304	2200 kg

PIES NIVELADORES SERIE GD04

GD04 SERIES LEVELING FEET



Modelo Model	Diámetro de la base Base Diameter (D)	Tamaño Roscado Threaded Size	Longitud Roscada Threaded Length (L)	Altura de Montaje Mounting Height (H)	Largo Total Total Length (L1)	Materiales de vástago roscado Threaded Stem Materials	Capacidad de Carga Loading Capacity
GD04-40FA01	40 mm	M8	50/80/100/120 mm	33mm	83/113/133/153 mm	Carbon Steel/Stainless Steel 304	100 kg
GD04-40FA02	40 mm	M10	50/80/100/120/150 mm	34 mm	84/114/134/154/184 mm	Carbon Steel/Stainless Steel 304	200 kg
GD04-40FA03	40 mm	M12	50/80/100/120/150/200 mm	34 mm	84/114/134/154/184/234 mm	Carbon Steel/Stainless Steel 304	400 kg
GD04-40FAA01	40 mm	5/16"-18	50/80/100/120 mm	33 mm	83/113/133/153 mm	Stainless Steel 304	100 kg
GD04-40FAA02	40 mm	3/8"-16	50/80/100/120/150 mm	34 mm	84/114/134/154/184 mm	Stainless Steel 304	200 kg
GD04-40FAA03	40 mm	1/2"-13	50/80/100/120/150/200 mm	34mm	84/114/134/154/184/234 mm	Stainless Steel 304	400 kg
GD04-50FA01	50 mm	M8	50/80/100/120 mm	33 mm	83/113/133/153 mm	Carbon Steel/Stainless Steel 304	100 kg
GD04-50FA02	50 mm	M10	50/80/100/120/150 mm	34 mm	84/114/134/154/184 mm	Carbon Steel/Stainless Steel 304	200 kg
GD04-50FA03	50 mm	M12	50/80/100/120/150/200 mm	34 mm	84/114/134/154/184/234 mm	Carbon Steel/Stainless Steel 304	400 kg
GD04-50FAA01	50 mm	5/16"-18	50/80/100/120 mm	33 mm	83/113/133/153 mm	Stainless Steel 304	100 kg
GD04-50FAA02	50 mm	3/8"-16	50/80/100/120/150 mm	34 mm	84/114/134/154/184 mm	Stainless Steel 304	200 kg
GD04-50FAA03	50 mm	1/2"-13	50/80/100/120/150/200 mm	34 mm	84/114/134/154/184/234 mm	Stainless Steel 304	400 kg
GD04-60FA01	60 mm	M10	50/80/100/120/150 mm	36 mm	86/116/136/156/186 mm	Carbon Steel/Stainless Steel 304	200 kg
GD04-60FA02	60 mm	M12	50/80/100/120/150/200 mm	36 mm	86/116/136/156/186/236 mm	Carbon Steel/Stainless Steel 304	500 kg

Modelo Model	Diámetro de la base Base Diameter (D)	Tamaño Roscado Threaded Size	Longitud Roscada Threaded Length (L)	Altura de Montaje Mounting Height (H)	Largo Total Total Length (L1)	Materiales de vástago roscado Threaded Stem Materials	Capacidad de Carga Loading Capacity
GD04-60FA03	60 mm	M14	100/120/150 mm	37 mm	135/157/187 mm	Carbon Steel/Stainless Steel 304	600 kg
GD04-60FA04	60 mm	M16	80/100/120/150/200/250/300 mm	39 mm	119/139/159/189/239/289/339 mm	Carbon Steel/Stainless Steel 304	800 kg
GD04-60FA05	60 mm	M18	100/120/150 mm	40 mm	140/160/190 mm	Carbon Steel/Stainless Steel 304	900 kg
GD04-60FA06	60 mm	M20	80/100/120/150/200/250/300 mm	41 mm	121/141/161/191/241/291/341 mm	Carbon Steel/Stainless Steel 304	1000 kg
GD04-60FA07	60 mm	M24	100/150/200/250/300 mm	42 mm	142/192/242/292/342 mm	Carbon Steel/Stainless Steel 304	1000 kg
GD04-60FAA01	60 mm	3/8"-16	50/80/100/120/150 mm	36 mm	86/116/136/159/186 mm	Stainless Steel 304	200 kg
GD04-60FAA02	60 mm	1/2"-13	50/80/100/120/150/200 mm	36 mm	86/116/136/159/186/236 mm	Stainless Steel 304	500 kg
GD04-60FAA03	60 mm	5/8"-11	80/100/120/150/200/250/300 mm	39 mm	119/139/159/189/239/289/339 mm	Stainless Steel 304	800 kg
GD04-60FAA04	60 mm	3/4"-10	80/100/120/150/200/250/300 mm	41 mm	121/141/161/191/241/291/341 mm	Stainless Steel 304	1000 kg
GD04-60FAA05	60mm	1"-8	100/150/200/250/300 mm	42 mm	142/192/242/292/342 mm	Stainless Steel 304	1000 kg
GD04-80FA01	80mm	M12	50/80/100/120/150/200 mm	40 mm	90/120/140/160/190/240 mm	Carbon Steel/Stainless Steel 304	500 kg
GD04-80FA02	80mm	M14	100/150 mm	40 mm	140/190 mm	Carbon Steel/Stainless Steel 304	600 kg
GD04-80FA03	80mm	M16	80/100/120/150/200/250/300 mm	40 mm	120/140/160/190/240/290/340 mm	Carbon Steel/Stainless Steel 304	800 kg
GD04-80FA04	80mm	M18	100/150 mm	41 mm	141/191 mm	Carbon Steel/Stainless Steel 304	900 kg
GD04-80FA05	80mm	M20	80/100/120/150/200/250/300 mm	41 mm	121/141/161/191/241/291/341 mm	Carbon Steel/Stainless Steel 304	1000 kg
GD04-80FA06	80mm	M24	100/150/200/250/300 mm	41 mm	141/161/191/241/291/341 mm	Carbon Steel/Stainless Steel 304	1000 kg
GD04-80FAA01	80mm	1/2"-13	50/80/100/120/150/200 mm	40 mm	90/120/140/160/190/240 mm	Stainless Steel 304	500 kg
GD04-80FAA02	80mm	5/8"-11	80/100/120/150/200/250/300 mm	40 mm	120/140/160/190/240/290/340 mm	Stainless Steel 304	800 kg
GD04-80FAA03	80mm	3/4"-10	80/100/120/150/200/250/300 mm	41 mm	121/141/161/191/241/291/341 mm	Stainless Steel 304	1000 kg
GD04-80FAA04	80mm	1"-8	100/150/200/250/300 mm	41 mm	141/161/191/241/291/341 mm	Stainless Steel 304	1000 kg
GD04-100FA01A	100mm	M14	100/150 mm	40 mm	140/190 mm	Carbon Steel/Stainless Steel 304	600 kg
GD04-100FA02A	100mm	M16	80/100/120/150/200/250/300 mm	40 mm	120/140/160/190/240/290/340 mm	Carbon Steel/Stainless Steel 304	800 kg
GD04-100FA03A	100mm	M18	100/150 mm	42 mm	142/192 mm	Carbon Steel/Stainless Steel 304	900 kg
GD04-100FA04A	100mm	M20	80/100/120/150/200/250/300 mm	42 mm	122/142/162/192/242/292/342 mm	Carbon Steel/Stainless Steel 304	1000 kg
GD04-100FA05A	100mm	M24	100/150/200/250/300 mm	42 mm	142/192/242/292/342 mm	Carbon Steel/Stainless Steel 304	1000 kg
GD04-100FA06A	100mm	M30	100/150/200/250/300 mm	45 mm	145/195/245/295/345 mm	Carbon Steel/Stainless Steel 304	1500 kg
GD04-100FAA01A	100mm	5/8"-11	80/100/120/150/200/250/300 mm	40 mm	120/140/160/190/240/290/340 mm	Stainless Steel 304	800 kg
GD04-100FAA02A	100mm	3/4"-10	80/100/120/150/200/250/300 mm	42 mm	122/142/162/192/242/292/342 mm	Stainless Steel 304	1000 kg
GD04-100FAA04A	100mm	1"-8	100/150/200/250/300 mm	42 mm	142/192/242/292/342 mm	Stainless Steel 304	1000 kg

PIES NIVELADORES SERIE GD04

GD04 SERIES LEVELING FEET

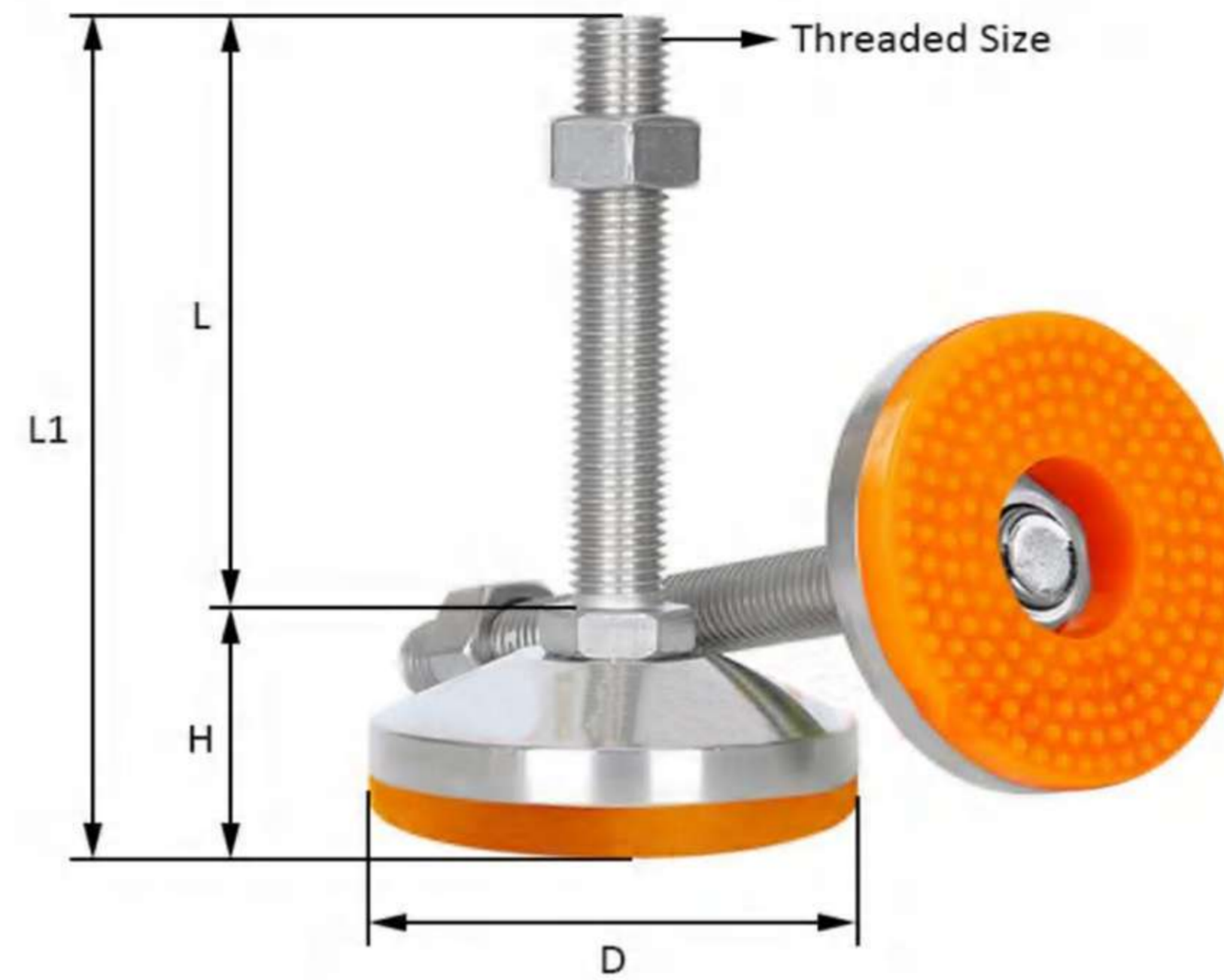


Modelo Model	Diámetro de la base Base Diameter (D)	Tamaño Roscado Threaded Size	Longitud Roscada Threaded Length (L)	Altura de Montaje Mounting Height (H)	Largo Total Total Length (L1)	Materiales de vástago roscado Threaded Stem Materials	Capacidad de Carga Loading Capacity
GD04-100FA01B	100 mm	M14	100/150 mm	40 mm	140/190 mm	Carbon Steel/Stainless Steel 304	600 kg
GD04-100FA02B	100 mm	M16	80/100/120/150/200/250/300 mm	40 mm	120/140/160/190/240/290/340 mm	Carbon Steel/Stainless Steel 304	800 kg
GD04-100FA03B	100 mm	M18	100/150 mm	42 mm	142/192 mm	Carbon Steel/Stainless Steel 304	900 kg
GD04-100FA04B	100 mm	M20	80/100/120/150/200/250/300 mm	42 mm	122/142/162/192/242/292/342 mm	Carbon Steel/Stainless Steel 304	1000 kg
GD04-100FA05B	100 mm	M24	100/150/200/250/300 mm	42 mm	142/192/242/292/342 mm	Carbon Steel/Stainless Steel 304	1000 kg
GD04-100FA06B	100 mm	M30	100/150/200/250/300 mm	45 mm	145/195/245/295/345 mm	Carbon Steel/Stainless Steel 304	1500 kg
GD04-100FAA01B	100 mm	5/8"-11	80/100/120/150/200/250/300 mm	40 mm	120/140/160/190/240/290/340 mm	Stainless Steel 304	800 kg
GD04-100FAA02B	100 mm	3/4"-10	80/100/120/150/200/250/300 mm	42 mm	122/142/162/192/242/292/342 mm	Stainless Steel 304	1000 kg
GD04-100FAA03B	100 mm	1"-8	100/150/200/250/300 mm	42 mm	142/192/242/292/342 mm	Stainless Steel 304	1000 kg

Modelo Model	Diámetro de la base Base Diameter (D)	Tamaño Roscado Threaded Size	Longitud Roscada Threaded Length (L)	Altura de Montaje Mounting Height (H)	Largo Total Total Length (L1)	Materiales de vástago roscado Threaded Stem Materials	Capacidad de Carga Loading Capacity
GD04-120FA01	120 mm	M14	100/120/150 mm	42 mm	142/192 mm	Carbon Steel/Stainless Steel 304	800 kg
GD04-120FA02	120 mm	M16	80/100/120/150/200/250/300 mm	43 mm	123/143/163/193/243/293/343 mm	Carbon Steel/Stainless Steel 304	900 kg
GD04-120FA03	120 mm	M18	100/150 mm	45 mm	145/195 mm	Carbon Steel/Stainless Steel 304	1000 kg
GD04-120FA04	120 mm	M20	80/100/120/150/200/250/300 mm	45 mm	125/145/165/195/245/295/345 mm	Carbon Steel/Stainless Steel 304	1200 kg
GD04-120FA05	120 mm	M24	100/150/200/250/300 mm	45 mm	145/165/195/245/295/345 mm	Carbon Steel/Stainless Steel 304	1500 kg
GD04-120FA06	120 mm	M30	100/150/200/250/300 mm	48 mm	148/198/248/298/348 mm	Carbon Steel/Stainless Steel 304	2000 kg
GD04-120FAA01	120 mm	5/8"-11	80/100/120/150/200/250/300 mm	43 mm	123/143/163/193/243/293/343 mm	Stainless Steel 304	900 kg
GD04-120FAA02	120 mm	3/4"-10	80/100/120/150/200/250/300 mm	45 mm	125/145/165/195/245/295/345 mm	Stainless Steel 304	1200 kg
GD04-120FAA03	120 mm	1"-8	100/150/200/250/300 mm	45 mm	145/165/195/245/295/345 mm	Stainless Steel 304	1500 kg
GD04-150FA01	150mm	M14	100/150 mm	50 mm	150/200 mm	Carbon Steel/Stainless Steel 304	900 kg
GD04-150FA02	150mm	M16	80/100/120/150/200/250/300 mm	50 mm	130/150/170/200/250/300/350 mm	Carbon Steel/Stainless Steel 304	1000 kg
GD04-150FA03	150mm	M18	100/150 mm	52 mm	152/202 mm	Carbon Steel/Stainless Steel 304	1200 kg
GD04-150FA04	150mm	M20	80/100/120/150/200/250/300 mm	52 mm	132/152/172/202/252/302/352 mm	Carbon Steel/Stainless Steel 304	1500 kg
GD04-150FA05	150mm	M24	100/150/200/250/300 mm	52 mm	152/202/252/302/352 mm	Carbon Steel/Stainless Steel 304	1800 kg
GD04-150FA06	150mm	M30	100/150/200/250/300 mm	55 mm	155/205/255/305/355 mm	Carbon Steel/Stainless Steel 304	2200 kg
GD04-150FAA01	150mm	5/8"-11	80/100/120/150/200/250/300 mm	50 mm	130/150/170/200/250/300/350 mm	Stainless Steel 304	1000 kg
GD04-150FAA02	150mm	3/4"-10	80/100/120/150/200/250/300 mm	52 mm	132/152/172/202/252/302/352 mm	Stainless Steel 304	1800 kg
GD04-150FAA03	150mm	1"-8	100/150/200/250/300 mm	52 mm	152/202/252/302/352 mm	Stainless Steel 304	2200 kg

PIES NIVELADORES SERIE GD04

GD04 SERIES LEVELING FEET

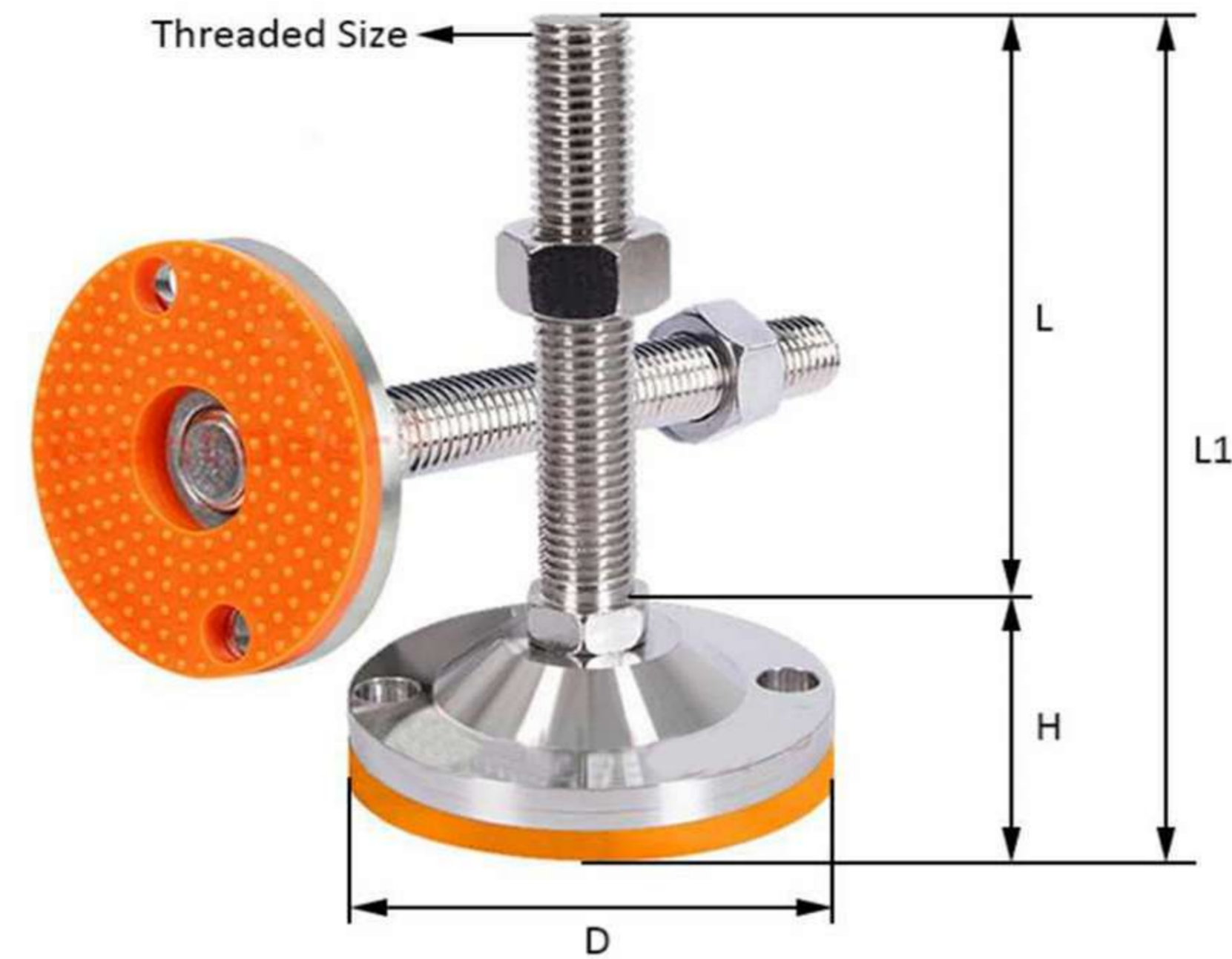


Modelo Model	Diámetro de la base Base Diameter (D)	Tamaño Roscado Threaded Size	Longitud Roscada Threaded Length (L)	Altura de Montaje Mounting Height (H)	Largo Total Total Length (L1)	Materiales de vástago roscado Threaded Stem Materials	Capacidad de Carga Loading Capacity
GD04-40FB01	40 mm	M8	50/80/100/120 mm	33 mm	83/113/133/153 mm	Carbon Steel/Stainless Steel 304	100 kg
GD04-40FB02	40 mm	M10	50/80/100/120/15 mm	34 mm	84/114/134/154/184 mm	Carbon Steel/Stainless Steel 304	200 kg
GD04-40FB03	40 mm	M12	50/80/100/120/150/200 mm	34 mm	84/114/134/154/184/234 mm	Carbon Steel/Stainless Steel 304	400 kg
GD04-40FBA01	40 mm	5/16"-18	50/80/100/120 mm	33 mm	83/113/133/153 mm	Stainless Steel 304	100 kg
GD04-40FBA02	40 mm	3/8"-16	50/80/100/120/150 mm	34 mm	84/114/134/154/184 mm	Stainless Steel 304	200 kg
GD04-40FBA03	40 mm	1/2"-13	50/80/100/120/150/200 mm	34 mm	84/114/134/154/184/234 mm	Stainless Steel 304	400 kg
GD04-50FB01	50 mm	M8	50/80/100/120 mm	33 mm	83/113/133/153 mm	Carbon Steel/Stainless Steel 304	100 kg
GD04-50FB02	50 mm	M10	50/80/100/120/150 mm	34 mm	84/114/134/154/184 mm	Carbon Steel/Stainless Steel 304	200 kg
GD04-50FB03	50 mm	M12	50/80/100/120/150/200 mm	34 mm	84/114/134/154/184/234 mm	Carbon Steel/Stainless Steel 304	400 kg
GD04-50FBA01	50 mm	5/16"-18	50/80/100/120 mm	33 mm	83/113/133/153 mm	Stainless Steel 304	100 kg
GD04-50FBA02	50 mm	3/8"-16	50/80/100/120/150 mm	34 mm	84/114/134/154/184 mm	Stainless Steel 304	200 kg
GD04-50FBA03	50 mm	1/2"-13	50/80/100/120/150/200 mm	34 mm	84/114/134/154/184/234 mm	Stainless Steel 304	400 kg
GD04-60FB01	60 mm	M10	50/80/100/120/150 mm	36 mm	86/116/136/156/186 mm	Carbon Steel/Stainless Steel 304	200 kg
GD04-60FB02	60 mm	M12	50/80/100/120/150/200 mm	36 mm	86/116/136/156/186/236 mm	Carbon Steel/Stainless Steel 304	500 kg
GD04-60FB03	60 mm	M14	100/120/150 mm	37 mm	137/157/187 mm	Carbon Steel/Stainless Steel 304	600 kg

Modelo Model	Diámetro de la base Base Diameter (D)	Tamaño Roscado Threaded Size	Longitud Roscada Threaded Length (L)	Altura de Montaje Mounting Height (H)	Largo Total Total Length (L1)	Materiales de vástago roscado Threaded Stem Materials	Capacidad de Carga Loading Capacity
GD04-60FB04	60mm	M16	80/100/120/150/200/250/300 mm	39 mm	119/139/159/189/239/289/339 mm	Carbon Steel/Stainless Steel 304	800 kg
GD04-60FB05	60mm	M18	100/120/150 mm	40 mm	140/160/190 mm	Carbon Steel/Stainless Steel 304	900 kg
GD04-60FB06	60mm	M20	80/100/120/150/200/250/300 mm	41 mm	121/141/161/191/241/291/341 mm	Carbon Steel/Stainless Steel 304	1000 kg
GD04-60FB07	60mm	M24	100/150/200/250/300 mm	42 mm	142/192/242/292/342 mm	Carbon Steel/Stainless Steel 304	1000 kg
GD04-60FBA01	60mm	3/8"-16	50/80/100/120/150 mm	36 mm	86/116/136/156/186 mm	Stainless Steel 304	200 kg
GD04-60FBA02	60mm	1/2"-13	50/80/100/120/150/200 mm	36 mm	86/116/136/156/186/236 mm	Stainless Steel 304	500 kg
GD04-60FBA03	60mm	5/8"-11	80/100/120/150/200/250/300 mm	39 mm	119/139/159/189/239/289/339 mm	Stainless Steel 304	800 kg
GD04-60FBA04	60mm	3/4"-10	80/100/120/150/200/250/300 mm	41 mm	121/141/161/191/241/291/341 mm	Stainless Steel 304	1000 kg
GD04-60FBA05	60mm	1"-8	100/150/200/250/300 mm	42mm	142/192/242/292/342 mm	Stainless Steel 304	1000 kg
GD04-80FB01	80mm	M12	50/80/100/120/150/200 mm	40 mm	90/120/140/160/190/240 mm	Carbon Steel/Stainless Steel 304	500 kg
GD04-80FB02	80mm	M14	100/150 mm	40 mm	140/190 mm	Carbon Steel/Stainless Steel 304	600 kg
GD04-80FB03	80mm	M16	80/100/120/150/200/250/300 mm	40 mm	120/140/160/190/240/290/340 mm	Carbon Steel/Stainless Steel 304	800 kg
GD04-80FB04	80mm	M18	100/150 mm	41 mm	141/191 mm	Carbon Steel/Stainless Steel 304	900 kg
GD04-80FB05	80mm	M20	80/100/120/150/200/250/300 mm	41 mm	121/141/161/191/241/291/341 mm	Carbon Steel/Stainless Steel 304	1000 kg
GD04-80FB06	80mm	M24	100/150/200/250/300 mm	41 mm	141/191/241/291/341 mm	Carbon Steel/Stainless Steel 304	1000 kg
GD04-80FBA01	80mm	1/2"-13	50/80/100/120/150/200 mm	40 mm	90/120/140/160/190/240 mm	Stainless Steel 304	500 kg
GD04-80FBA02	80mm	5/8"-11	80/100/120/150/200/250/300 mm	40 mm	120/140/160/190/240/290/340 mm	Stainless Steel 304	800 kg
GD04-80FBA03	80mm	3/4"-10	80/100/120/150/200/250/300 mm	41 mm	121/141/161/191/241/291/341 mm	Stainless Steel 304	1000 kg
GD04-80FBA04	80mm	1"-8	100/150/200/250/300 mm	41 mm	141/191/241/291/341 mm	Stainless Steel 304	1000 kg
GD04-100FB01A	100mm	M14	100/150 mm	40 mm	140/190 mm	Carbon Steel/Stainless Steel 304	600 kg
GD04-100FB02A	100mm	M16	80/100/120/150/200/250/300 mm	40 mm	120/140/160/190/240/290/340 mm	Carbon Steel/Stainless Steel 304	800 kg
GD04-100FB03A	100mm	M18	100/150 mm	42 mm	142/192 mm	Carbon Steel/Stainless Steel 304	900 kg
GD04-100FB04A	100mm	M20	80/100/120/150/200/250/300 mm	42 mm	122/142/162/192/242/292/342 mm	Carbon Steel/Stainless Steel 304	1000 kg
GD04-100FB05A	100mm	M24	100/120/150/200/250/300 mm	42 mm	142/192/242/292/342 mm	Carbon Steel/Stainless Steel 304	1000 kg
GD04-100FB06A	100mm	M30	100/120/150/200/250/300 mm	45 mm	145/195/245/295/345 mm	Carbon Steel/Stainless Steel 304	1500 kg
GD04-100FBA01A	100mm	5/8"-11	80/100/120/200/250/300 mm	40 mm	120/140/160/190/240/290/340 mm	Stainless Steel 304	800 kg
GD04-100FBA02A	100mm	3/4"-10	80/100/120/150/200/250/300 mm	42 mm	122/142/162/192/242/292/342 mm	Stainless Steel 304	1000 kg
GD04-100FBA04A	100mm	1"-8	100/150/200/250/300 mm	42 mm	142/192/242/292/342 mm	Stainless Steel 304	1000 kg

PIES NIVELADORES SERIE GD04

GD04 SERIES LEVELING FEET

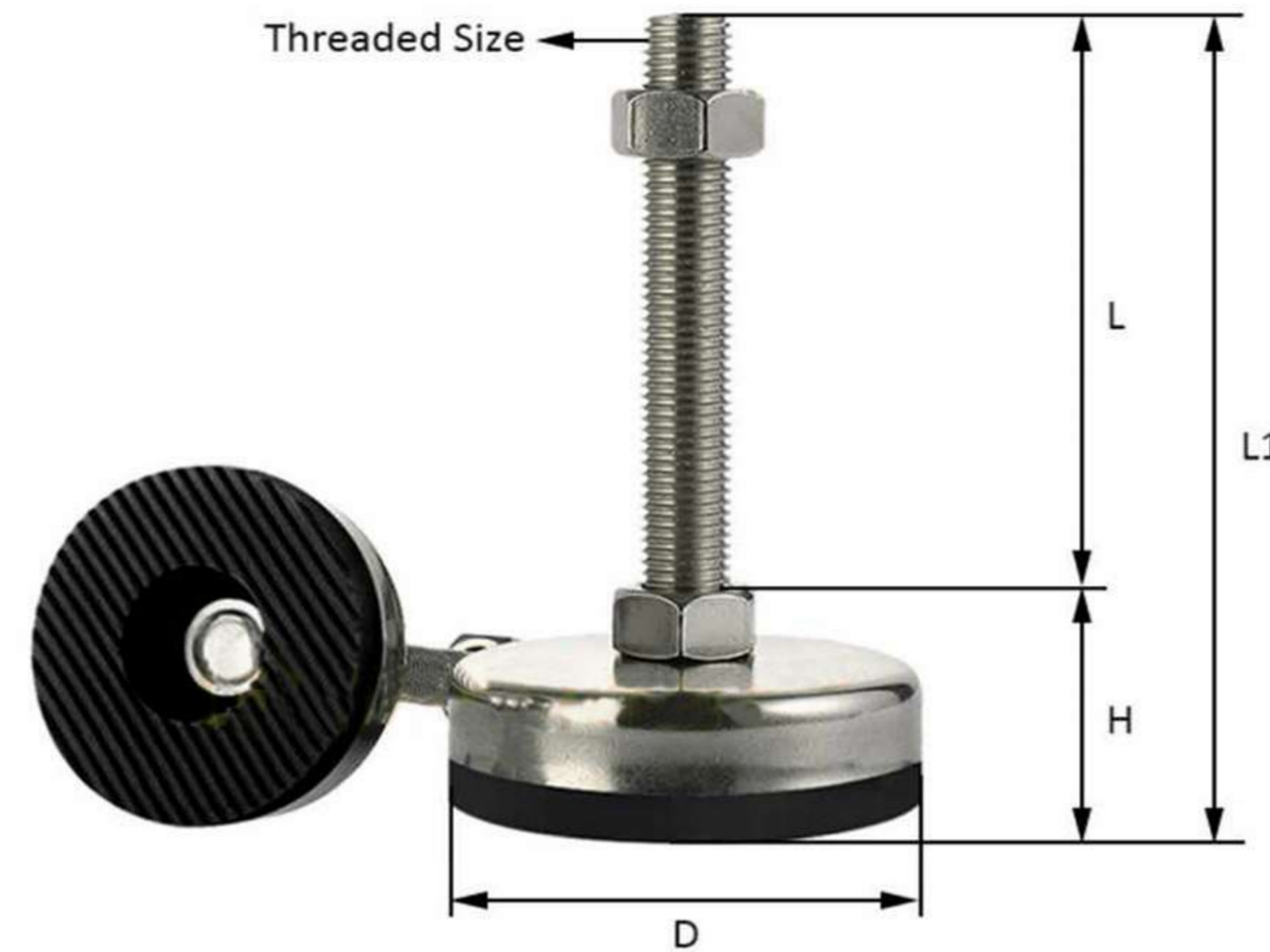


Modelo Model	Diámetro de la base Diameter (D)	Tamaño Roscado Threaded Size	Longitud Roscada Threaded Length (L)	Altura de Montaje Mounting Height (H)	Largo Total Total Length (L1)	Materiales de vástago roscado Threaded Stem Materials	Capacidad de Carga Loading Capacity
GD04-100FB01B	100 mm	M14	100/150 mm	40 mm	140/190 mm	Carbon Steel/Stainless Steel 304	600 kg
GD04-100FB02B	100 mm	M16	80/100/120/150/200/250/300 mm	40 mm	120/140/160/190/240/290/340 mm	Carbon Steel/Stainless Steel 304	800 kg
GD04-100FB03B	100 mm	M18	100/150 mm	42 mm	142/192 mm	Carbon Steel/Stainless Steel 304	900 kg
GD04-100FB04B	100 mm	M20	80/100/120/150/200/250/300 mm	42 mm	122/142/162/192/242/292/342 mm	Carbon Steel/Stainless Steel 304	1000 kg
GD04-100FB05B	100 mm	M24	100/150/200/250/300 mm	42 mm	142/192/242/292/342 mm	Carbon Steel/Stainless Steel 304	1000 kg
GD04-100FB06B	100 mm	M30	100/150/200/250/300 mm	45 mm	145/195/245/295/345 mm	Carbon Steel/Stainless Steel 304	1500 kg
GDO4-100FBA01B	100 mm	5/8"-11	80/100/120/150/200/250/300 mm	40 mm	120/140/160/190/240/290/340 mm	Stainless Steel 304	800 kg
GD04-100FBA02B	100 mm	3/4"-10	80/100/120/150/200/250/300 mm	42 mm	122/142/162/192/242/292/342 mm	Stainless Steel 304	1000 kg
GD04-100FBA03B	100 mm	1"-8	100/150/200/250/300 mm	42 mm	142/192/242/292/342 mm	Stainless Steel 304	1000 kg

Modelo Model	Diámetro de la base Diameter (D)	Tamaño Roscado Threaded Size	Longitud Roscada Threaded Length (L)	Altura de Montaje Mounting Height (H)	Largo Total Total Length (L)	Materiales de vástago roscado Threaded Stem Materials	Capacidad de Carga Loading Capacity
GD04-120FB01	120 mm	M14	100/150 mm	42 mm	142/192 mm	Carbon Steel/Stainless Steel 304	800 kg
GD04-120FB02	120 mm	M16	80/100/120/150/200/250/300 mm	43 mm	123/143/163/193/243/293/343 mm	Carbon Steel/Stainless Steel 304	900kg
GD04-120FB03	120 mm	M18	100/150 mm	45 mm	145/195 mm	Carbon Steel/Stainless Steel 304	1000 kg
GD04-120FB04	120 mm	M20	80/100/120/150/200/250/300 mm	45 mm	125/145/165/195/245/295/345 mm	Carbon Steel/Stainless Steel 304	1200 kg
GD04-120FB05	120 mm	M24	100/150/200/250/300 mm	45 mm	145/195/245/295/345 mm	Carbon Steel/Stainless Steel 304	1500 kg
GD04-120FB06	120 mm	M30	100/150/200/250/300 mm	48 mm	148/198/248/298/348 mm	Carbon Steel/Stainless Steel 304	2000 kg
GD04-120F8A01	120 mm	5/8"-11	80/100/120/150/200/250/300 mm	43 mm	123/143/163/193/243/293/343 mm	Stainless Steel 304	900 kg
GD04-120FBA02	120 mm	3/4"-10	80/100/120/150/200/250/300 mm	45 mm	125/145/165/195/245/295/345 mm	Stainless Steel 304	1200 kg
GD04-120FBA03	120 mm	1"-8	100/150/200/250/300 mm	45 mm	145/195/245/295/345 mm	Stainless Steel 304	1500 kg
GD04-150FB01	150 mm	M14	100/150 mm	50 mm	150/200 mm	Carbon Steel/Stainless Steel 304	900 kg
GD04-150FB02	150 mm	M16	80/100/120/150/200/250/300mm	50 mm	130/150/170/200/250/300/350 mm	Carbon Steel/Stainless Steel 304	1000 kg
GD04-150FB03	150 mm	M18	100/150 mm	52 mm	152/202 mm	Carbon Steel/Stainless Steel 304	1200 kg
GD04-150FB04	150 mm	M20	80/100/120/150/200/250/300 mm	52 mm	132/152/172/202/252/302/352 mm	Carbon Steel/Stainless Steel 304	1500 kg
GD04-150FB05	150 mm	M24	100/150/200/250/300 mm	52 mm	152/202/252/302/352 mm	Carbon Steel/Stainless Steel 304	1800 kg
GD04-150FB06	150 mm	M30	100/150/200/250/300 mm	55 mm	155/205/255/305/355 mm	Carbon Steel/Stainless Steel 304	2200 kg
GD04-150FBA01	150 mm	5/8"-11	80/100/120/150/200/250/300 mm	50 mm	130/150/170/200/250/300/350 mm	Stainless Steel 304	1000 kg
GD04-150FBA02	150 mm	3/4"-10	80/100/120/150/200/250/300 mm	52 mm	132/152/172/202/252/302/352 mm	Stainless Steel 304	1800 kg
GD04-150FBA03	150 mm	1"-8	100/150/200/250/300 mm	52 mm	152/202/252/302/352 mm	Stainless Steel 304	2200 kg

PIES NIVELADORES SERIE GD05

GD05 SERIES LEVELING FEET

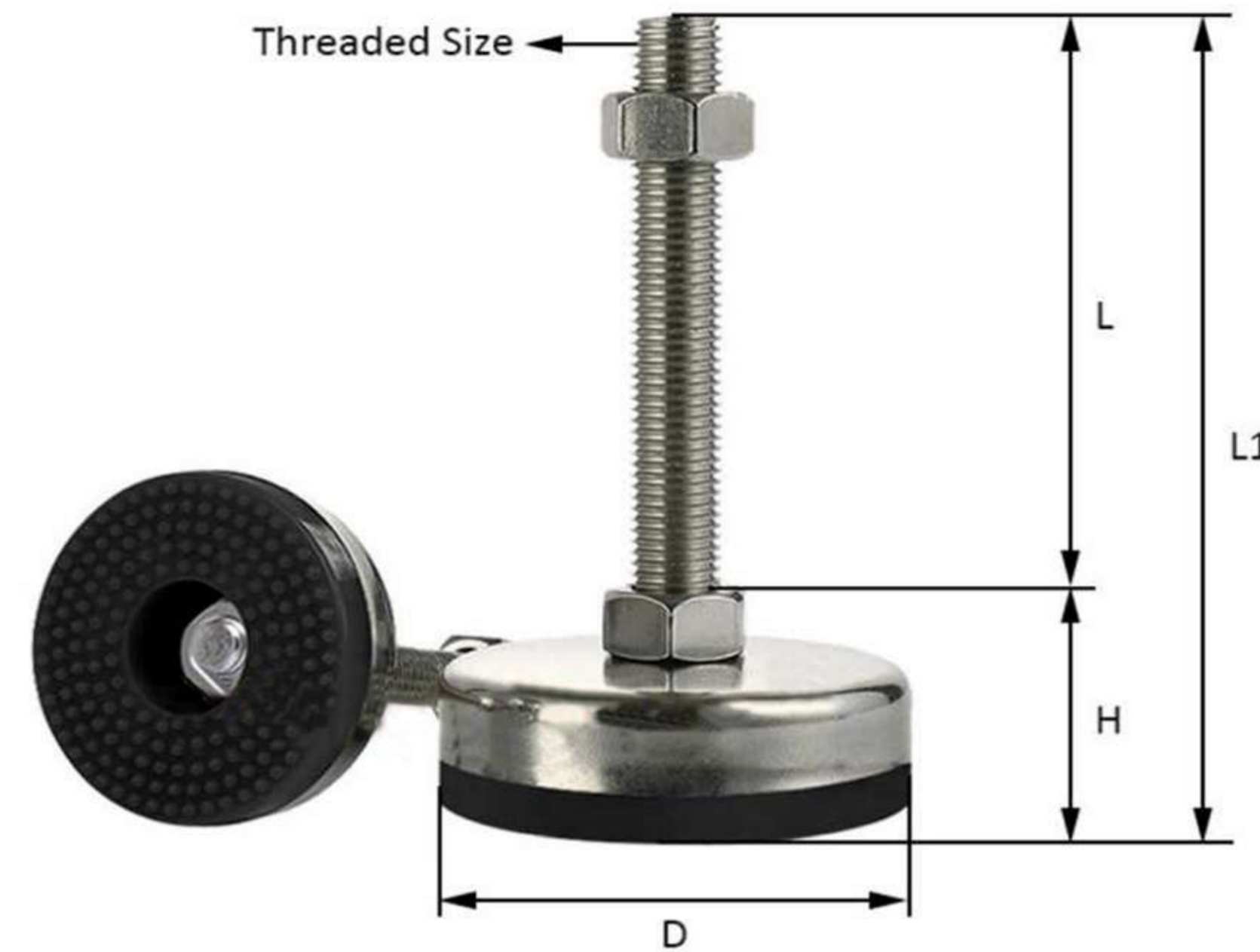


Modelo Model	Diámetro de la base Diameter (D)	Tamaño Roscado Threaded Size	Longitud Roscada Threaded Length (L)	Altura de Montaje Mounting Height (H)	Largo Total Total Length (L1)	Materiales de vástago roscado Threaded Stem Materials	Capacidad de Carga Loading Capacity
GD05-40FA01	40 mm	M8	40/60/80 mm	26 mm	66/86/106 mm	Carbon Steel/Stainless Steel 304	50 kg
GD05-40FA02	40 mm	M10	40/60/80/100 mm	27 mm	67/87/107/127 mm	Carbon Steel/Stainless Steel 304	80 kg
GD05-40FA03	40 mm	M12	60/80/100/120/150 mm	27 mm	87/107/127/147/177 mm	Carbon Steel/Stainless Steel 304	100 kg
GD05-40FAA01	40 mm	5/16"-18	40/60/80 mm	26 mm	66/86/106 mm	Stainless Steel 304	50 kg
GD05-40FAA02	40 mm	3/8"-16	40/60/80/100 mm	27 mm	67/87/107/127 mm	Stainless Steel 304	80 kg
GD05-40FAA03	40 mm	1/2"-13	60/80/100/120/150 mm	27 mm	87/107/127/147/177 mm	Stainless Steel 304	100 kg
GD05-60FA01	60 mm	M12	60/80/100/120/150 mm	32 mm	92/112/132/152/182 mm	Carbon Steel/Stainless Steel 304	120 kg
GD05-60FA02	60 mm	M14	100/120/150 mm	33 mm	133/153/183 mm	Carbon Steel/Stainless Steel 304	150 kg
GD05-60FA03	60 mm	M16	100/120/150 mm	33 mm	133/153/183 mm	Carbon Steel/Stainless Steel 304	200 kg
GD05-60FAA01	60 mm	1/2"-13	60/80/100/120/150 mm	27 mm	87/107/127/147/177 mm	Stainless Steel 304	120 kg

Modelo Model	Diámetro de la base Diameter (D)	Tamaño Roscado Threaded Size	Longitud Roscada Threaded Length (L)	Altura de Montaje Mounting Height (H)	Largo Total Total Length (L)	Materiales de vástago roscado Threaded Stem Materials	Capacidad de Carga Loading Capacity
GD05-60FAA02	60 mm	5/8"-11	100/120/150 mm	33 mm	133/153/183 mm	Stainless Steel 304	200 kg
GD05-80FA01	80 mm	M12	80/100/120/150 mm	35 mm	115/135/155/185mm	Carbon Steel/Stainless Steel 304	150 kg
GD05-80FA02	80 mm	M14	100/120/150 mm	36 mm	136/156/186 mm	Carbon Steel/Stainless Steel 304	180 kg
GD05-80FA03	80 mm	M16	100/120/150 mm	36 mm	136/156/186 mm	Carbon Steel/Stainless Steel 304	250 kg
GD05-80FA04	80 mm	M20	100/120/150 mm	36 mm	136/156/186 mm	Carbon Steel/Stainless Steel 304	350 kg
GD05-80FA05	80 mm	M24	100/120/150 mm	40 mm	140/160/190 mm	Carbon Steel/Stainless Steel 304	600 kg
GD05-80FAA01	80 mm	1 1/2"-13	80/100/120/150 mm	35 mm	115/135/155/185 mm	Stainless Steel 304	150 kg
GD05-80FAA02	80 mm	5/8"-11	100/120/150 mm	36 mm	136/156/186 mm	Stainless Steel 304	250 kg
GD05-80FAA03	80 mm	3/4"-10	100/120/150 mm	36 mm	136/156/186 mm	Stainless Steel 304	350 kg
GD05-80FAA04	80 mm	1"-8	100/120/150 mm	40 mm	140/160/190 mm	Stainless Steel 304	600 kg

PIES NIVELADORES SERIE GD05

GD05 SERIES LEVELING FEET

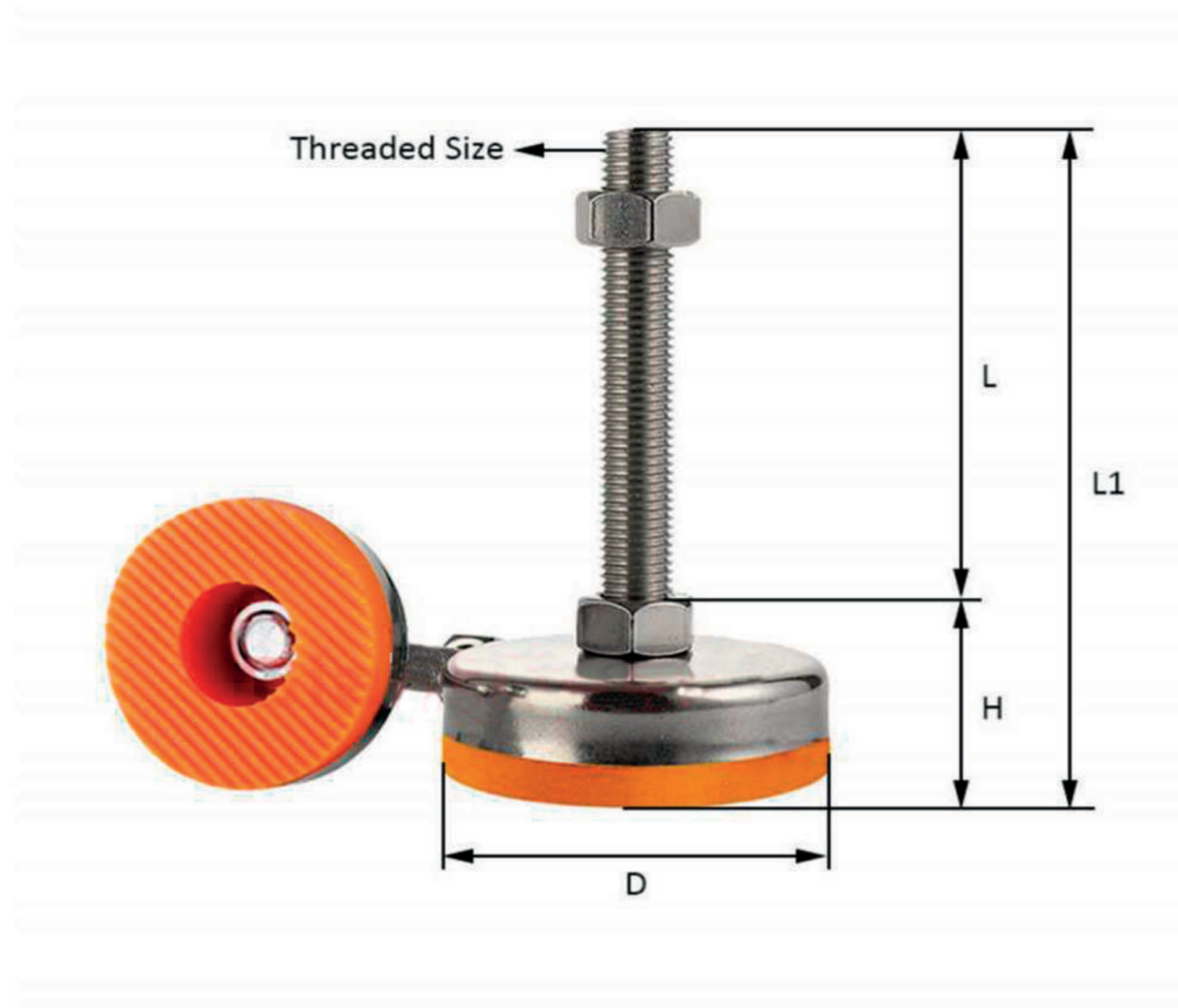


Modelo Model	Diámetro de la base Diameter (D)	Tamaño Roscado Threaded Size	Longitud Roscada Threaded Length (L)	Altura de Montaje Mounting Height (H)	Largo Total Total Length (L1)	Materiales de vástago roscado Threaded Stem Materials	Capacidad de Carga Loading Capacity
GD05-40FB01	40 mm	M8	40/60/80 mm	26 mm	66/86/106 mm	Carbon Steel/Stainless Steel 304	50 kg
GD05-40FB02	40 mm	M10	40/60/80/100 mm	27 mm	67/87/107/127 mm	Carbon Steel/Stainless Steel 304	80 kg
GD05-40FB03	40 mm	M12	60/80/100/120/150 mm	27 mm	87/107/127/147/177 mm	Carbon Steel/Stainless Steel 304	100 kg
GD05-40FBA01	40 mm	5/16"-18	40/60/80 mm	26 mm	66/86/106 mm	Stainless Steel 304	50 kg
GD05-40FBA02	40 mm	3/8"-16	40/60/80/100 mm	27 mm	67/87/107/127 mm	Stainless Steel 304	80 kg
GD05-40FBA03	40 mm	1/2"-13	60/80/100/120/150 mm	27 mm	87/107/127/147/177 mm	Stainless Steel 304	100 kg
GD05-60FB01	60 mm	M12	60/80/100/120/150 mm	32 mm	92/112/132/152/182 mm	Carbon Steel/Stainless Steel 304	120 kg
GD05-60FB02	60 mm	M14	100/120/150 mm	33 mm	133/153/183 mm	Carbon Steel/Stainless Steel 304	150 kg
GD05-60FB03	60 mm	M16	100/120/150 mm	33 mm	133/153/183 mm	Carbon Steel/Stainless Steel 304	200 kg
GD05-60FBA01	60 mm	1/2"-13	60/80/100/120/150 mm	27 mm	87/107/127/147/177 mm	Stainless Steel 304	120 kg

Modelo Model	Diámetro de la base Diameter (D)	Tamaño Roscado Threaded Size	Longitud Roscada Threaded Length (L)	Altura de Montaje Mounting Height (H)	Largo Total Total Length (LI)	Materiales de vástago roscado Threaded Stem Materials	Capacidad de Carga Loading Capacity
GD05-60FBA02	60 mm	5/8"-11	100/120/150 mm	33 mm	133/153/183 mm	Stainless Steel 304	200 kg
GD05-80FB01	80 mm	M12	80/100/120/150 mm	35 mm	115/135/155/185mm	Carbon Steel/Stainless Steel 304	150 kg
GD05-80FB02	80 mm	M14	100/120/150 mm	36 mm	136/156/186 mm	Carbon Steel/Stainless Steel 304	180 kg
GD05-80FB03	80 mm	M16	100/120/150 mm	36 mm	136/156/186 mm	Carbon Steel/Stainless Steel 304	250 kg
GD05-80FB04	80 mm	M20	100/120/150 mm	36 mm	136/156/186 mm	Carbon Steel/Stainless Steel 304	350 kg
GD05-80FB05	80 mm	M24	100/120/150 mm	40 mm	140/160/190 mm	Carbon Steel/Stainless Steel 304	600 kg
GD05-80FBA01	80 mm	1 1/2"-13	80/100/120/150 mm	35 mm	115/135/155/185 mm	Stainless Steel 304	150 kg
GD05-80FBA02	80 mm	5/8"-11	100/120/150 mm	36 mm	136/156/186 mm	Stainless Steel 304	250 kg
GD05-80FBA03	80 mm	3/4"-10	100/120/150 mm	36 mm	136/156/186 mm	Stainless Steel 304	350 kg
GD05-80FBA04	80 mm	1"-8	100/120/150 mm	40 mm	140/160/190 mm	Stainless Steel 304	600 kg

PIES NIVELADORES SERIE GD06

GD06 SERIES LEVELING FEET

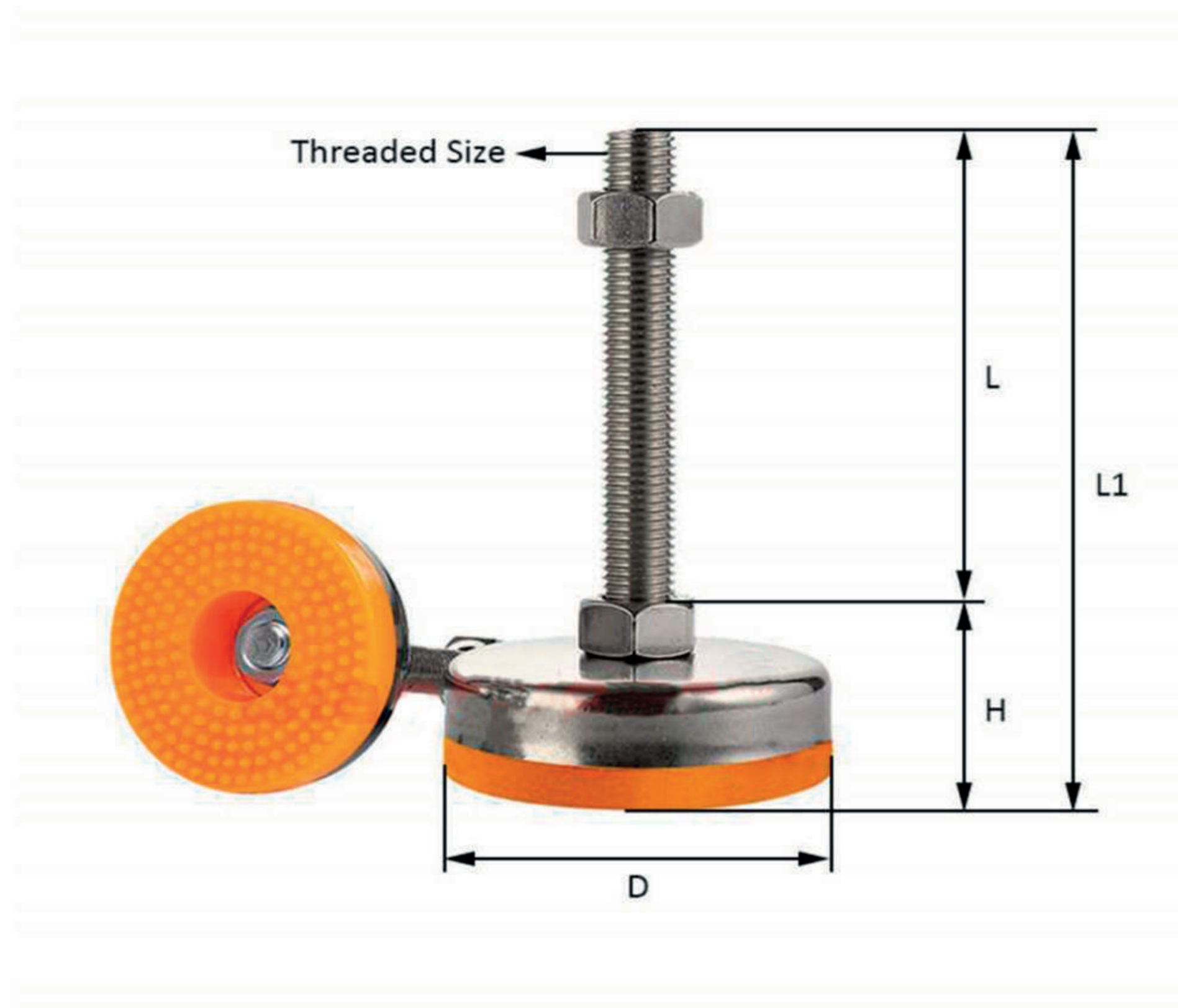


Modelo Model	Diámetro de la base Diameter (D)	Tamaño Roscado Threaded Size	Longitud Roscada Threaded Length (L)	Altura de Montaje Mounting Height (H)	Largo Total Total Length (L1)	Materiales de vástago roscado Threaded Stem Materials	Capacidad de Carga Loading Capacity
GD06-40FA01	40mm	M8	40/60/80 mm	26mm	66/86/106 mm	Carbon Steel/Stainless Steel 304	50 kg
GD06-40FA02	40mm	M10	40/60/80/100 mm	27 mm	67/87/107/127 mm	Carbon Steel/Stainless Steel 304	80 kg
GD06-40FA03	40mm	M12	60/80/100/120/150 mm	27 mm	87/107/127/147/177mm	Carbon Steel/Stainless Steel 304	100 kg
GD06-40FAA01	40mm	5/16"-18	40/60/80 mm	26mm	66/86/106 mm	Stainless Steel 304	50 kg
GD06-40FAA02	40mm	3/8"-16	40/60/80/100 mm	27 mm	67/87/107/127 mm	Stainless Steel 304	80 kg
GD06-40FAA03	40mm	1/2"-13	60/80/100/120/150 mm	27 mm	87/107/127/147/177mm	Stainless Steel 304	100 kg
GD06-60FA01	60mm	M12	60/80/100/120/150 mm	32mm	92/112/132/152/182 mm	Carbon Steel/Stainless Steel 304	120 kg
GD06-60FA02	60mm	M14	100/120/150 mm	33mm	133/153/183 mm	Carbon Steel/Stainless Steel 304	150 kg
GD06-60FA03	60mm	M16	100/120/150 mm	33mm	133/153/183 mm	Carbon Steel/Stainless Steel 304	200 kg
GD06-60FAA01	60mm	1/2"-13	60/80/100/120/150 mm	27mm	87/107/127/147/177mm	Stainless Steel 304	120 kg

Modelo Model	Diámetro de la base Diameter (D)	Tamaño Roscado Threaded Size	Longitud Roscada Threaded Length (L)	Altura de Montaje Mounting Height (H)	Largo Total Total Length (L)	Materiales de vástago roscado Threaded Stem Materials	Capacidad de Carga Loading Capacity
G06-60FAA02	60mm	5/8"-11	100/120/150 mm	33 mm	133/153/183 mm	Stainless Steel 304	200 kg
GD06-80FA01	80mm	M12	80/100/120/150 mm	35 mm	115/135/155/190 mm	Carbon Steel/Stainless Steel 304	150 kg
GD06-80FA02	80mm	M14	100/120/150 mm	36 mm	136/156/186 mm	Carbon Steel/Stainless Steel 304	180 kg
GD06-80FA03	80mm	M16	100/120/150 mm	36 mm	136/156/186 mm	Carbon Steel/Stainless Steel 304	250 kg
GD06-80FA04	80mm	M20	100/120/150 mm	36 mm	136/156/186 mm	Carbon Steel/Stainless Steel 304	350 kg
GD06-80FA05	80mm	M24	100/120/150 mm	40 mm	140/160/185 mm	Carbon Steel/Stainless Steel 304	600 kg
GD06-80FAA01	80mm	1/2"-13	80/100/120/150 mm	35 mm	115/135/155/185 mm	Stainless Steel 304	150 kg
GD06-80FAA02	80mm	5/8"-11	100/120/150 mm	36 mm	136/156/186 mm	Stainless Steel 304	250 kg
GD06-80FAA03	80mm	3/4"-10	100/120/150 mm	36 mm	136/156/186 mm	Stainless Steel 304	350 kg
GD06-80FAA04	80mm	1"-18	100/120/150 mm	40 mm	140/160/190 mm	Stainless Steel 304	600 kg

PIES NIVELADORES SERIE GD06

GD06 SERIES LEVELING FEET

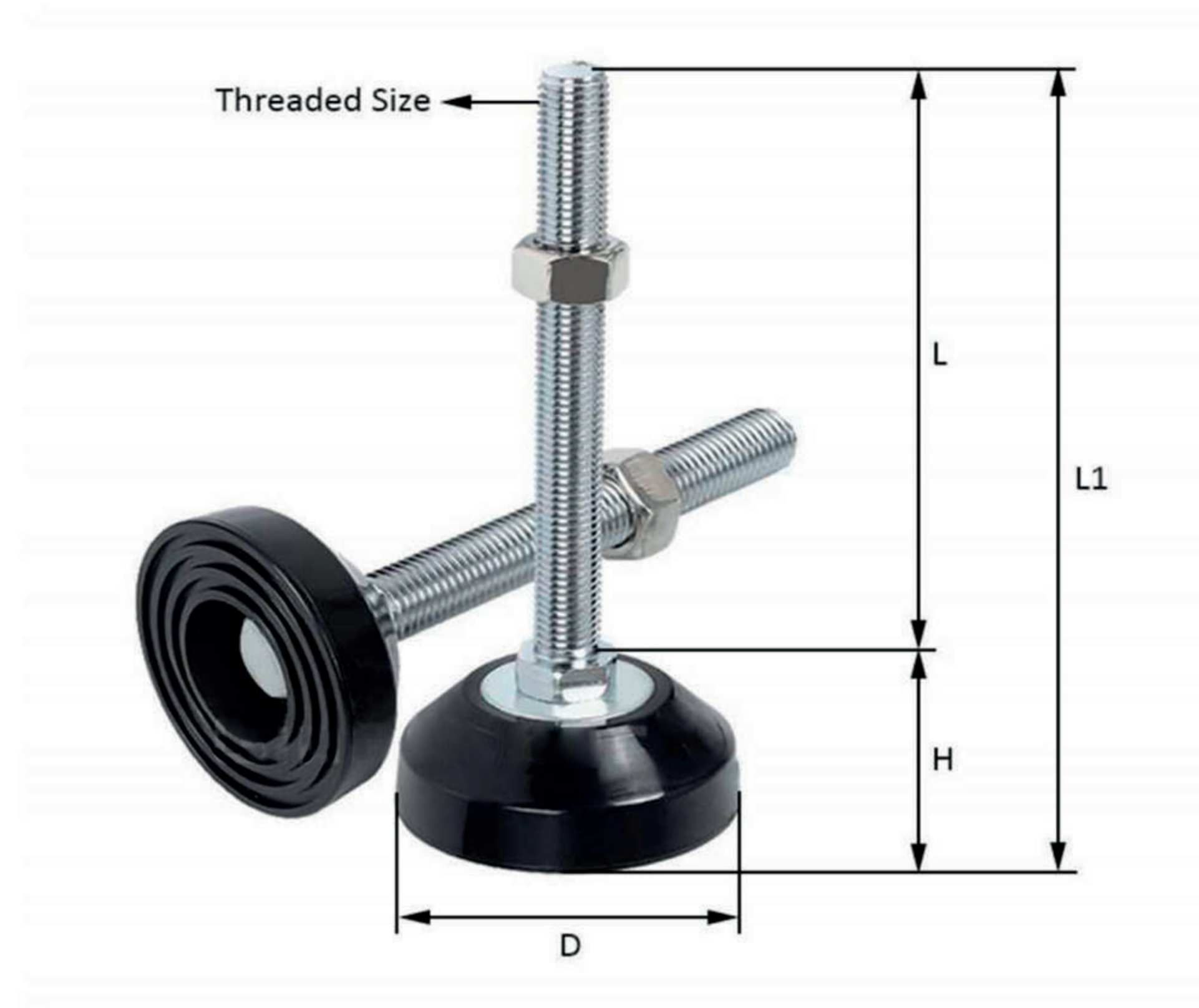


Modelo Model	Diámetro de la base Base Diameter (D)	Tamaño Roscado Threaded Size	Longitud Roscada Threaded Length (L)	Altura de Montaje Mounting Height (H)	Largo Total Total Length (L1)	Materiales de vástago roscado Threaded Stem Materials	Capacidad de Carga Loading Capacity
GD06-40FB01	40mm	M8	40/60/80 mm	26mm	66/86/106 mm	Carbon Steel/Stainless Steel 304	50 kg
GD06-40FB02	40mm	M10	40/60/80/100 mm	27mm	67/87/107/127 mm	Carbon Steel/Stainless Steel 304	80 kg
GD06-40FB03	40mm	M12	60/80/100/120/150 mm	27mm	87/107/127/147/177 mm	Carbon Steel/Stainless Steel 304	100 kg
GD06-40FBA01	40mm	5/16"-18	40/60/80 mm	26mm	66/86/106 mm	Stainless Steel 304	50 kg
GD06-40FBA02	40mm	3/8"-16	40/60/80/100 mm	27mm	67/87/107/127 mm	Stainless Steel 304	80 kg
GD06-40FBA03	40mm	1/2"-13	60/80/100/120/150 mm	27mm	87/107/127/147/177 mm	Stainless Steel 304	100 kg
GD06-60FB01	60mm	M12	60/80/100/120/150 mm	32mm	92/112/132/152/182 mm	Carbon Steel/Stainless Steel 304	120 kg
GD06-60FB02	60mm	M14	100/120/150 mm	33mm	133/153/183 mm	Carbon Steel/Stainless Steel 304	150 kg
GD06-60FB03	60mm	M16	100/120/150 mm	33mm	133/153/183 mm	Carbon Steel/Stainless Steel 304	200 kg
GD06-60FBA01	60mm	1/2"-13	60/80/100/120/150 mm	27mm	87/107/127/147/177 mm	Stainless Steel 304	120 kg

Modelo Model	Diámetro de la base Base Diameter (D)	Tamaño Roscado Threaded Size	Longitud Roscada Threaded Length (L)	Altura de Montaje Mounting Height (H)	Largo Total Total Length (LI)	Materiales de vástago roscado Threaded Stem Materials	Capacidad de Carga Loading Capacity
GD06-60FBA02	60mm	5/8"-11	100/120/150 mm	33 mm	133/153/183 mm	Stainless Steel 304	200 kg
GD06-80FB01	80mm	M12	80/100/120/150 mm	35 mm	115/135/155/190 mm	Carbon Steel/Stainless Steel 304	150 kg
GD06-80FB02	80mm	M14	100/120/150 mm	36 mm	136/156/186 mm	Carbon Steel/Stainless Steel 304	180 kg
GD06-80FB03	80mm	M16	100/120/150 mm	36 mm	136/156/186 mm	Carbon Steel/Stainless Steel 304	250 kg
GD06-80FB04	80mm	M20	100/120/150 mm	36 mm	136/156/186 mm	Carbon Steel/Stainless Steel 304	350 kg
GD06-80FB05	80mm	M24	100/120/150 mm	40 mm	140/160/185 mm	Carbon Steel/Stainless Steel 304	600 kg
GD06-80FBA01	80mm	1/2"-13	80/100/120/150 mm	35 mm	115/135/155/185 mm	Stainless Steel 304	150 kg
GD06-80FBA02	80mm	5/8"-11	100/120/150 mm	36 mm	136/156/186 mm	Stainless Steel 304	250 kg
GD06-80FBA03	80mm	3/4"-10	100/120/150 mm	36 mm	136/156/186 mm	Stainless Steel 304	350 kg
GD06-80FBA04	80mm	1"-18	100/120/150 mm	40 mm	140/160/190 mm	Stainless Steel 304	600 kg

PIES NIVELADORES SERIE GD07

GD07 SERIES LEVELING FEET

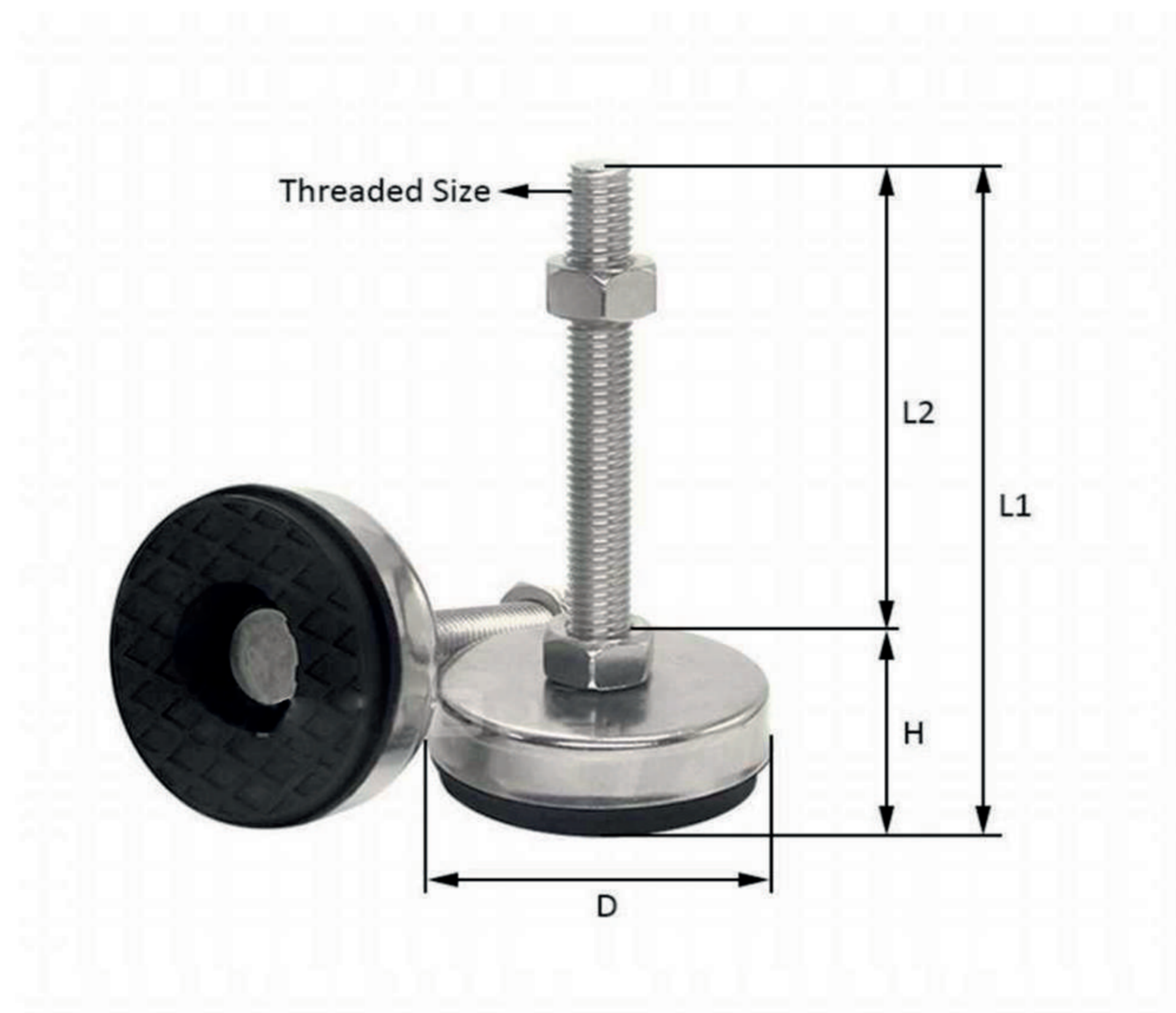


Modelo Model	Diámetro de la base Base Diameter (D)	Tamaño Roscado Threaded Size	Longitud Roscada Threaded Length (L)	Altura de Montaje Mounting Height (H)	Largo Total Total Length (L1)	Materiales de vástago roscado Stem Materials	Capacidad de Carga Loading Capacity
GD07-40F01	40mm	M8	40/60/80 mm	29mm	69/89/109 mm	Carbon Steel/Stainless Steel 304	50 kg
GD07-40F02	40mm	M10	40/60/80 mm	31mm	71/91/111 mm	Carbon Steel/Stainless Steel 304	80 kg
GD07-40F03	40mm	M12	40/60/80 mm	33mm	73/93/113 mm	Carbon Steel/Stainless Steel 304	150 kg
GD07-40FA01	40mm	5/16"-18	40/60/80 mm	29mm	69/89/109 mm	Stainless Steel 304	50 kg
GD07-40FA02	40mm	3/8"-16	40/60/80 mm	31mm	71/91/111 mm	Stainless Steel 304	80 kg
GD07-40FA03	40mm	1/2"-13	40/60/80 mm	33mm	73/93/113 mm	Stainless Steel 304	150 kg
GD07-50F01	50mm	M8	40/60/80 mm	30mm	70/90/110 mm	Carbon Steel/Stainless Steel 304	50 kg
GD07-50F02	50mm	M10	40/60/80/100 mm	32mm	72/92/112/132 mm	Carbon Steel/Stainless Steel 304	80 kg
GD07-50F03	50mm	M12	40/60/80/100 mm	34mm	74/94/114/134 mm	Carbon Steel/Stainless Steel 304	150 kg
GD07-50FA01	50mm	5/16"-18	40/60/80 mm	30mm	70/90/110 mm	Stainless Steel 304	50 kg

Modelo Model	Diámetro de la base Base Diameter (D)	Tamaño Roscado Threaded Size	Longitud Roscada Threaded Length (L)	Altura de Montaje Mounting Height (H)	Largo Total Total Length (L)	Materiales de vástago roscado Threaded Stem Materials	Capacidad de Carga Loading Capacity
GD07-50FA02	50mm	3/8"-16	40/60/80/100 mm	32mm	72/92/112/132 mm	Stainless Steel 304	80 kg
GD07-50FA03	50mm	1/2"-13	40/60/80/100 mm	34mm	74/94/114/134 mm	Stainless Steel 304	150 kg
GD07-60F01	60mm	M8	60/80/100 mm	32mm	92/112/132 mm	Carbon Steel/Stainless Steel 304	60 kg
GD07-60F02	60mm	M10	60/80/100 mm	34mm	94/114/134 mm	Carbon Steel/Stainless Steel 304	100 kg
GD07-60F03	60mm	M12	60/80/100/120/150 mm	36mm	96/116/136/156/186 mm	Carbon Steel/Stainless Steel 304	160 kg
GD07-60F04	60mm	M14	80/100/120/150 mm	37mm	117/137/157/187 mm	Carbon Steel/Stainless Steel 304	200 kg
GD07-60F05	60mm	M16	80/100/120/150 mm	39mm	119/139/159/189 mm	Carbon Steel/Stainless Steel 304	300 kg
GD07-60FA01	60mm	5/16"-18	60/80/100 mm	32mm	92/112/132 mm	Stainless Steel 304	60 kg
GD07-60FA02	60mm	3/8"-16	60/80/100 mm	34mm	94/114/134 mm	Stainless Steel 304	100 kg
GD07-60FA03	60mm	1/2"-13	60/80/100/120/150 mm	36mm	96/116/136/156/186 mm	Stainless Steel 304	160 kg
GD07-60FA04	60mm	5/8"-11	80/100/120/150 mm	39mm	119/139/159/189 mm	Stainless Steel 304	300 kg
GD07-80F01	80mm	M12	60/80/100/120/150 mm	42mm	102/122/142/162/192 mm	Carbon Steel/Stainless Steel 304	200 kg
GD07-80F02	80mm	M14	80/100/120/150 mm	43mm	123/143/163/193 mm	Carbon Steel/Stainless Steel 304	250 kg
GD07-80F03	80mm	M16	80/100/120/150 mm	44mm	124/144/164/194 mm	Carbon Steel/Stainless Steel 304	350 kg
GD07-80F04	80mm	M18	100/120/150 mm	46mm	146/166/196 mm	Carbon Steel/Stainless Steel 304	400 kg
GD07-80F05	80mm	M20	100/120/150 mm	47mm	147/167/197 mm	Carbon Steel/Stainless Steel 304	500 kg
GD07-80F06	80mm	M24	100/120/150/200 mm	48mm	148/168/198/248 mm	Carbon Steel/Stainless Steel 304	600 kg
GD07-80FA01	80mm	1/2"-13	60/80/100/120/150 mm	42mm	102/122/142/162/192 mm	Stainless Steel 304	200 kg
GD07-80FA02	80mm	5/8"-11	80/100/120/150 mm	44mm	124/144/164/194 mm	Stainless Steel 304	350 kg
GD07-80FA03	80mm	3/4"-10	100/120/150 mm	47mm	147/167/197 mm	Stainless Steel 304	500 kg
GD07-80FA04	80mm	1"-18	100/120/150/200 mm	48mm	148/168/198/248 mm	Stainless Steel 304	600 kg

PIES NIVELADORES SERIE GD08

GD08 SERIES LEVELING FEET

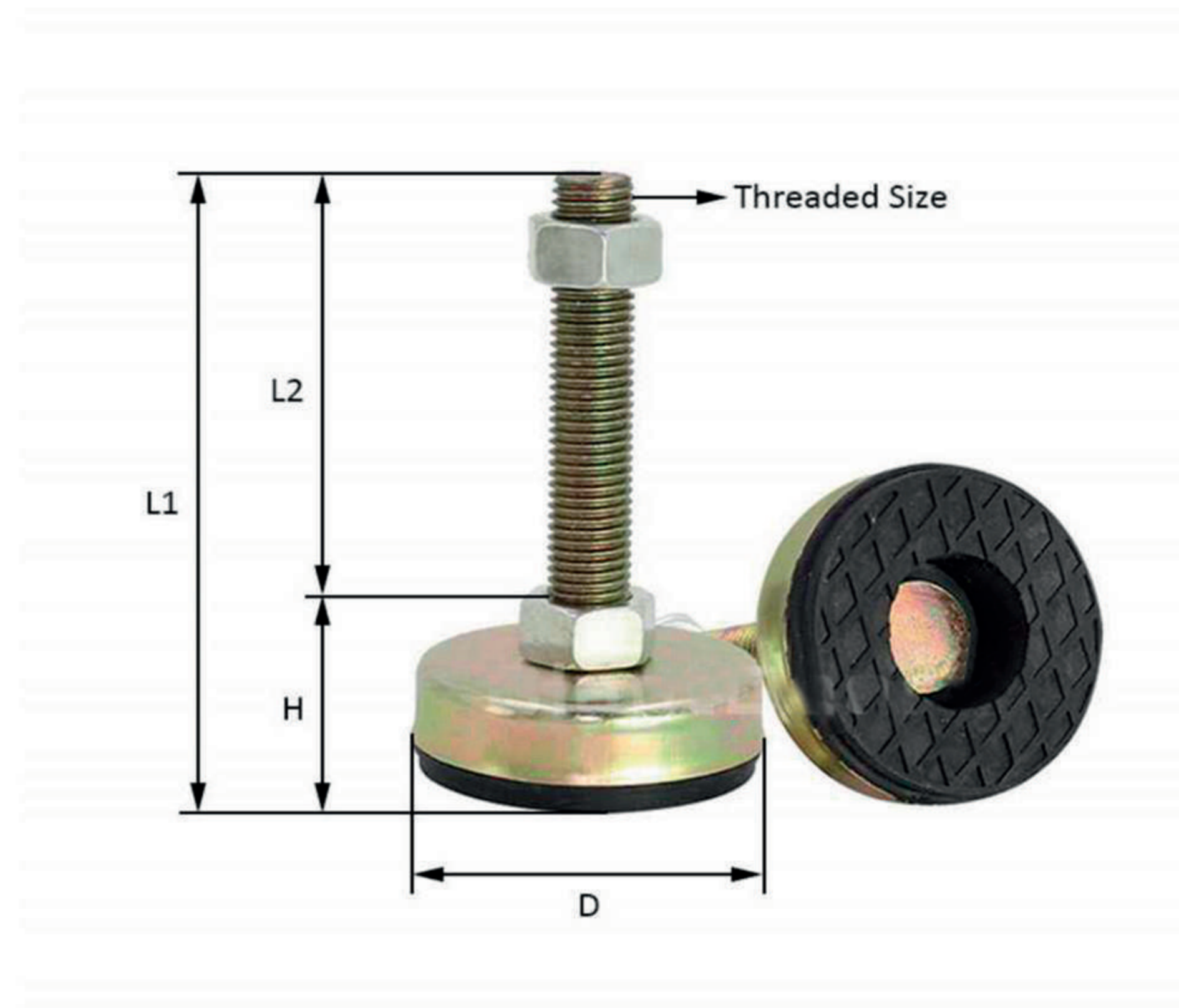


Modelo Model	Diámetro de la base Base Diameter (D)	Tamaño Roscado Threaded Size	Tamaño del perno Bolt Size (L)	Longitud roscada Threaded Length (L2)	Altura de Montaje Mounting Height (H)	Largo Total Total Length (L1)	Materiales de vástago roscado Threaded Stem Materials	Capacidad de Carga Loading Capacity
GD08-35FA01	35mm	M8	60/80/100 mm	48/68/88 mm	23mm	71/91/111 mm	Carbon Steel	50 kg
GD08-35FA02	35mm	M10	60/80/100 mm	48/68/88 mm	24mm	72/92/112 mm	Carbon Steel	60 kg
GD08-35FAA01	35mm	5/16"-18	60/80/100 mm	48/68/88 mm	23mm	71/91/111 mm	Stainless Steel 304	50 kg
GD08-35FAA02	35mm	3/8"-16	60/80/100 mm	48/68/88 mm	24mm	72/92/112 mm	Stainless Steel 304	60 kg
GD08-43FA01	43mm	M8	60/80/100 mm	48/68/88 mm	26mm	74/94/114 mm	Carbon Steel	50 kg
GD08-43FA02	43mm	M10	60/80/100 mm	47/67/87 mm	27mm	74/94/114 mm	Carbon Steel	60 kg
GD08-43FA03	43mm	M12	60/80/100/120/150 mm	46/65/84/104/134mm	28mm	74/93/112/132/162 mm	Carbon Steel	100 kg
GD08-43FAA01	43mm	5/16"-18	60/80/100 mm	48/68/88 mm	26mm	74/94/114 mm	Stainless Steel 304	50 kg
GD08-43FAA02	43mm	3/8"-16	60/80/100 mm	47/67/87 mm	27mm	74/94/114 mm	Stainless Steel 304	60 kg
GD08-43FAA03	43mm	1/2"-13	60/80/100/120/150 mm	46/65/84/104/134mm	28mm	74/93/112/132/162 mm	Stainless Steel 304	100 kg
GD08-54FA01	54mm	M12	60/80/100/120/150 mm	47/66/85/105/135mm	29mm	76/95/114/134/164 mm	Carbon Steel	100 kg

Modelo Model	Diámetro de la base Base Diameter (D)	Tamaño Roscado Threaded Size	Tamaño del perno Bolt Size (L)	Longitud roscada Threaded Length (L2)	Altura de Montaje Mounting Height (H)	Largo Total Total Length (L)	Materiales de vástago roscado Threaded Stem Materials	Capacidad de Carga Loading Capacity
GD08-54FAA01	54mm	1/2"-13	60/80/100/120/150 mm	47/66/85/105/135mm	29mm	76/95/114/134/164 mm	Stainless Steel 304	100 kg
GD08-65FA01	65mm	M12	60/80/100/120/150 mm	47/66/85/105/135mm	29mm	76/95/114/134/164 mm	Carbon Steel	100 kg
GD08-65FA02	65mm	M14	80/100/120/150 mm	65/83/102/132 mm	31mm	96/114/133/163 mm	Carbon Steel	150 kg
GD08-65FA03	65mm	M16	80/100/120/150 mm	63/82/101/131 mm	32mm	95/114/133/163 mm	Carbon Steel	200 kg
GD08-65FAA01	65mm	1/2"-13	60/80/100/120/150 mm	47/66/85/105/135mm	29mm	76/95/114/134/164 mm	Stainless Steel 304	100 kg
GD08-65FAA02	65mm	5/8"-11	80/100/120/150 mm	63/82/101/131 mm	32mm	95/114/133/163 mm	Stainless Steel 304	200 kg
GD08-75FA01	75mm	M16	80/100/120/150 mm	62/81/100/130mm	33mm	95/114/133/163 mm	Carbon Steel	200 kg
GD08-75FAA01	75mm	5/8"-11	80/100/120/150 mm	62/81/100/130mm	33mm	95/114/133/163 mm	Stainless Steel 304	200 kg
GD08-85FA01	85mm	M16	80/100/120/150 mm	61/80/99/129mm	27mm	98/117/136/166 mm	Carbon Steel	200 kg
GD08-85FA02	85mm	M18	100/120/150 mm	78/96/126mm	40mm	118/136/166 mm	Carbon Steel	300 kg
GD08-85FA03	85mm	M20	100/120/150 mm	77/96/126mm	40mm	117/136/166 mm	Carbon Steel	400 kg
GD08-85FAA01	85mm	5/8"-11	80/100/120/150 mm	61/80/99/129mm	37mm	98/117/136/166 mm	Stainless Steel 304	200 kg
GD08-85FAA02	85mm	3/4"-10	100/120/150 mm	78/96/126mm	40mm	117/136/166 mm	Stainless Steel 304	400 kg

PIES NIVELADORES SERIE GD08

GD08 SERIES LEVELING FEET

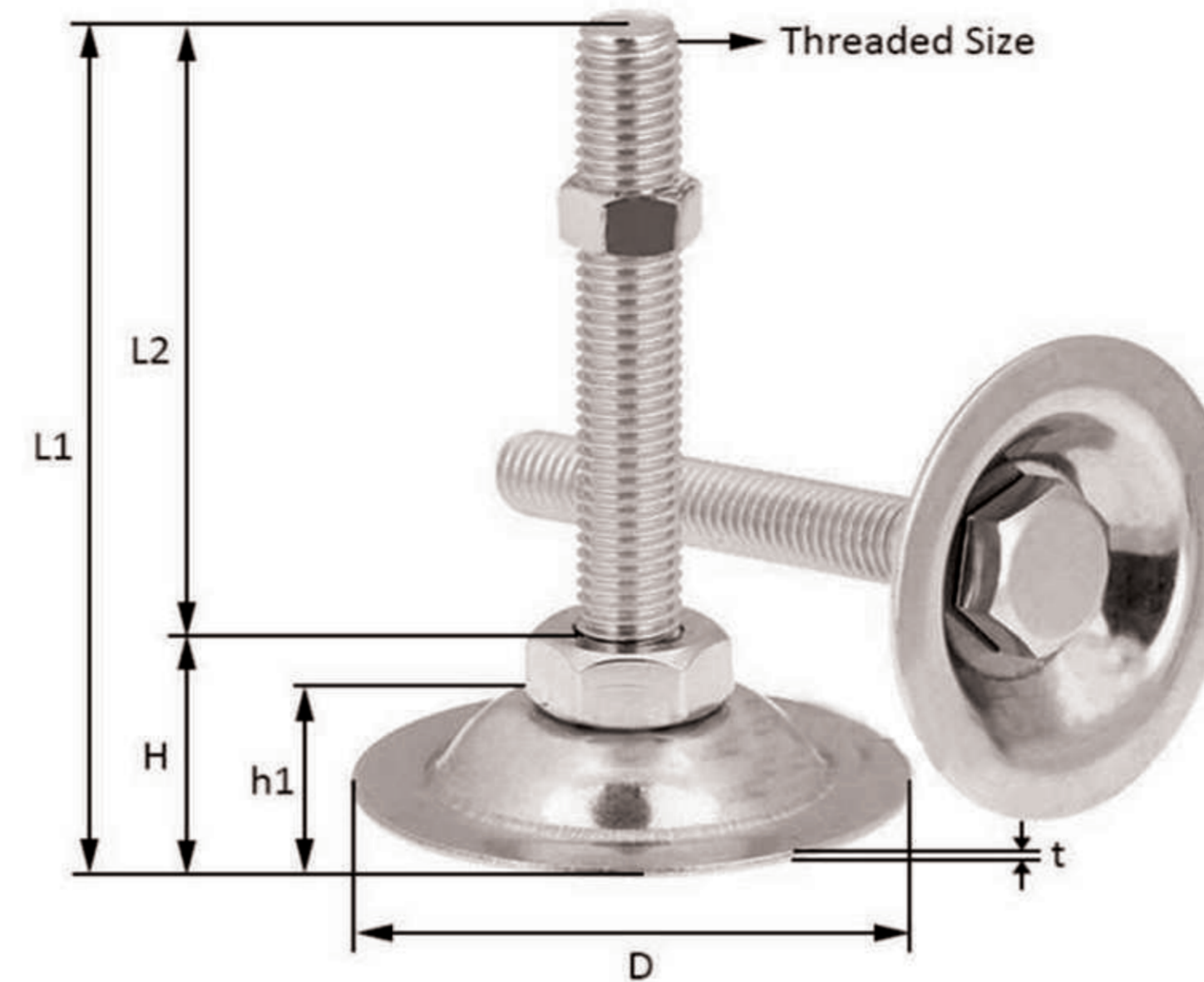


Modelo Model	Diámetro de la base Base Diameter (D)	Tamaño Roscado Threaded Size	Tamaño del perno Bolt Size (L)	Longitud roscada Threaded Length (L2)	Altura de Montaje Mounting Height (H)	Largo Total Total Length (L1)	Materiales de vástago roscado Threaded Stem Materials	Capacidad de Carga Loading Capacity
GD08-35FB01	35mm	M8	60/80/100 mm	48/68/88 mm	23mm	71/91/111 mm	Carbon Steel	50 kg
GD08-35FB02	35mm	M10	60/80/100 mm	48/68/88 mm	24mm	72/92/112 mm	Carbon Steel	60 kg
GD08-43FB01	43mm	M8	60/80/100 mm	48/68/88 mm	26mm	74/94/114 mm	Carbon Steel	50 kg
GD08-43FB02	43mm	M10	60/80/100 mm	47/67/87 mm	27mm	74/94/114 mm	Carbon Steel	60 kg
GD08-43FB03	43mm	M12	60/80/100/120/150 mm	46/65/84/104/134mm	28mm	74/93/112/132/162 mm	Carbon Steel	100 kg
GD08-54FB01	54mm	M12	60/80/100/120/150 mm	47/66/85/105/135mm	29mm	76/95/114/134/164 mm	Carbon Steel	100 kg
GD08-65FB01	54mm	M12	60/80/100/120/150 mm	47/66/85/105/135mm	29mm	76/95/114/134/164 mm	Carbon Steel	100 kg

Modelo Model	Diámetro de la base Base Diameter (D)	Tamaño Roscado Threaded Size	Tamaño del perno Bolt Size (L)	Longitud roscada Threaded Length (L2)	Altura de Montaje Mounting Height (H)	Largo Total Total Length (U)	Materiales de vástago roscado Threaded Stem Materials	Capacidad de Carga Loading Capacity
GD08-65FB02	65mm	M14	80/100/120/150 mm	65/83/102/132mm	31mm	96/114/133/163mm	Carbon Steel	150 kg
GD08-65FB03	65mm	M16	80/100/120/150 mm	53/82/101/131mm	32mm	95/114/133/163mm	Carbon Steel	200 kg
GD08-75FB01	75mm	M16	80/100/120/150 mm	62/81/100/130mm	33mm	95/114/133/163mm	Carbon Steel	200 kg
GD08-85FB01	85mm	M16	80/100/120/150 mm	61/80/99/129mm	37mm	98/117/136/166mm	Carbon Steel	200 kg
GD08-85FB02	85mm	M18	100/120/150 mm	78/96/126mm	40mm	118/136/166mm	Carbon Steel	300 kg
GD08-85FB03	85mm	M20	100/120/150 mm	77/96/126mm	40mm	118/136/166mm	Carbon Steel	400 kg

PIES NIVELADORES SERIE GD09

GD09 SERIES LEVELING FEET

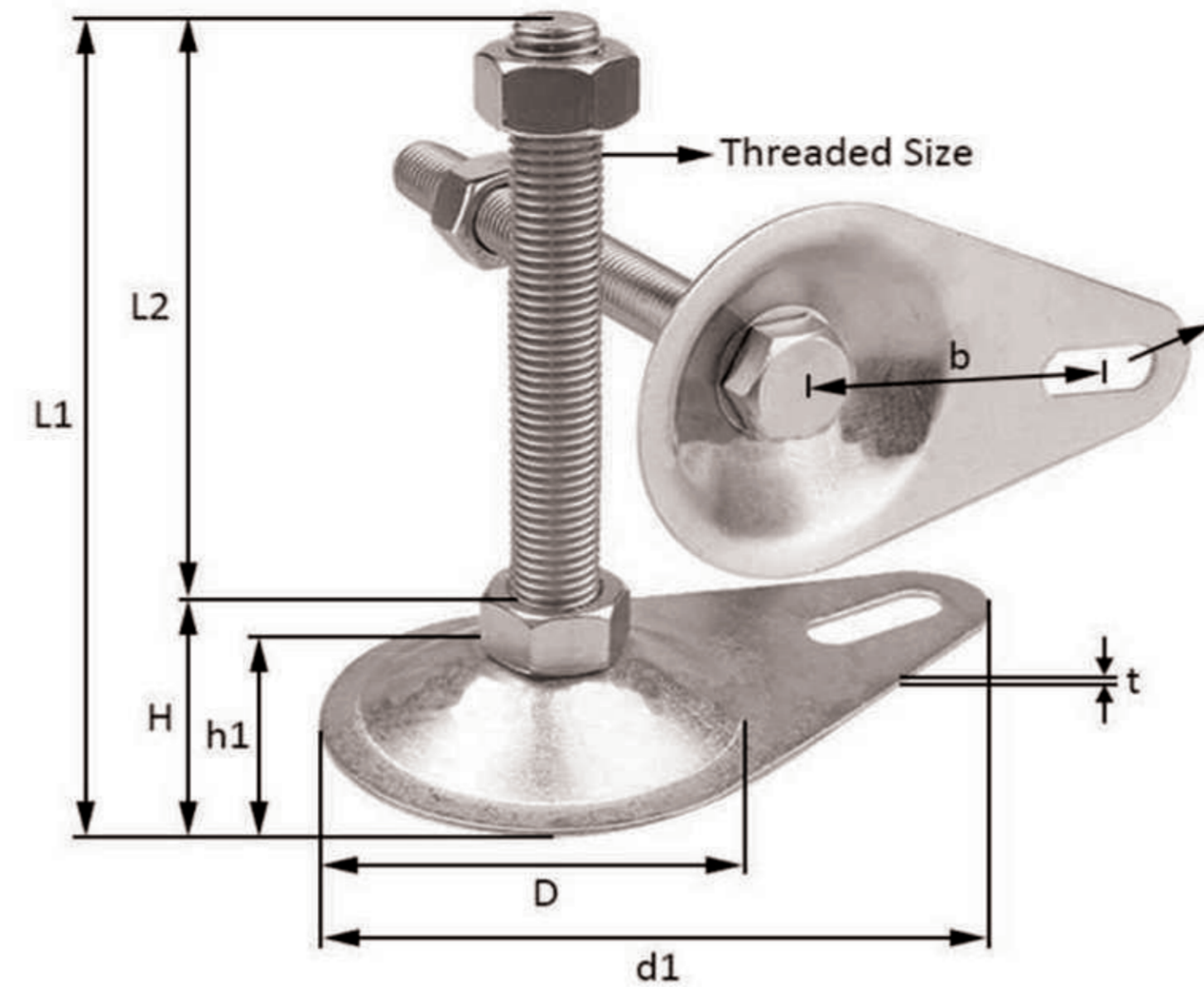


Modelo Model	Diámetro de la base Base Diameter (D)	Tamaño Roscado Threaded Size	Tamaño del perno Bolt Size (L)	Longitud roscada Threaded Length (L2)	Altura de Montaje Mounting Height (H)	Largo Total Total Length (L1)	Materiales de vástago roscado Threaded Stem Materials	Capacidad de Carga Loading Capacity	Grosor Básico Base Thickness	Altura de la Base Base Height (h1)
GD09-38F01	38mm	M8	60/80/100 mm	53/73/93 mm	17mm	70/90/110 mm	Carbon Steel/Stainless Steel 304	50 kg	1.5/2.0mm/3.0mm	11mm
GD09-38F02	38mm	M10	60/80/100 mm	53/73/93 mm	17mm	70/90/110 mm	Carbon Steel/Stainless Steel 304	60 kg	1.5/2.0mm/3.0mm	11mm
GD09-38FA01	38mm	5/16"-18	60/80/100 mm	53/73/93 mm	17mm	70/90/110 mm	Stainless Steel 304	50 kg	1.5/2.0mm/3.0mm	11mm
GD09-38FA02	38mm	3/8"-16	60/80/100 mm	53/73/93 mm	17mm	70/90/110 mm	Stainless Steel 304	60 kg	1.5/2.0mm/3.0mm	11mm
GD09-53F01	53mm	M8	60/80/100 mm	53/73/93 mm	16mm	69/89/109mm	Carbon Steel/Stainless Steel 304	50 kg	1.5/2.0mm/3.0mm	10mm
GD09-53F02	53mm	M10	60/80/100 mm	52/72/92 mm	17mm	69/89/109mm	Carbon Steel/Stainless Steel 304	60 kg	1.5/2.0mm/3.0mm	10mm
GD09-53F03	53mm	M12	60/80/100/120 mm	51/66/88/108 mm	18mm	69/84/106/126mm	Carbon Steel/Stainless Steel 304	100 kg	1.5/2.0mm/3.0mm	10mm
GD09-53FA01	53mm	5/16"-18	60/80/100 mm	53/73/93 mm	16mm	69/89/109mm	Stainless Steel 304	50 kg	1.5/2.0mm/3.0mm	10mm
GD09-53FA02	53mm	3/8"-16	60/80/100 mm	52/72/92 mm	17mm	69/89/109mm	Stainless Steel 304	60 kg	1.5/2.0mm/3.0mm	10mm
GD09-53FA03	53mm	1/2"-13	60/80/100/120 mm	51/66/88/108 mm	18mm	69/84/106/126mm	Stainless Steel 304	100 kg	1.5/2.0mm/3.0mm	10mm
GD09-62F01	62mm	M12	60/80/100/120/150 mm	50/67/86/107/137 mm	18mm	68/85/104/125/155mm	Carbon Steel/Stainless Steel 304	100 kg	1.5/2.0mm/3.0mm	10mm

Modelo Model	Diámetro de la base Diameter (D)	Tamaño Roscado Threaded Size	Tamaño del perno Bolt Size (L)	Longitud roscada Threaded Length (L2)	Altura de Montaje Mounting Height (H)	Largo Total Total Length (L)	Materiales de vástago roscado Threaded Stem Materials	Capacidad de Carga Loading Capacity	Grosor Básico Base Thickness	Altura de la Base Base Height (h1)
GD09-62FA01	62mm	1/2"-13	60/80/100/120/150mm	50/67/86/107/137 mm	18mm	68/85/104/125/155 mm	Stainless Steel 304	80 kg	1.5/2.0 mm/3.0 mm	10mm
GD09-66F01	66mm	M12	60/80/100/120/150mm	51/66/88/108/131 mm	18mm	69/84/106/126/149 mm	Carbon Steel/Stainless Steel 304	80 kg	1.5/2.0 mm/3.0 mm	10mm
GD09-66FA01	66mm	1/2"-13	60/80/100/120/150mm	51/66/88/108/131 mm	18mm	69/84/106/126/149 mm	Stainless Steel 304	80 kg	1.5/2.0 mm/3.0 mm	10mm
GD09-73F01	73mm	M12	60/80/100/120/150mm	50/65/87/107/130 mm	22mm	72/87/109/129/152 mm	Carbon Steel/Stainless Steel 304	100 kg	1.5/2.0 mm/3.0 mm	14mm
GD09-73FA01	73mm	1/2"-13	60/80/100/120/150mm	50/65/87/107/130 mm	22mm	72/87/109/129/152 mm	Stainless Steel 304	100 kg	1.5/2.0 mm/3.0 mm	14mm
GD09-76F01A	76mm	M12	60/80/100/120/150mm	50/65/87/107/130 mm	22mm	72/87/109/129/152 mm	Carbon Steel/Stainless Steel 304	100 kg	1.5/2.0 mm/3.0 mm	14mm
GD09-76F02A	76mm	M14	80/100/120/150 mm	68/83/103/133 mm	24mm	92/107/127/157 mm	Carbon Steel/Stainless Steel 304	140 kg	1.5/2.0 mm/3.0 mm	14mm
GD09-76F03A	76mm	M16	80/100/120/150 mm	64/82/104/132 mm	25mm	89/107/129/157 mm	Carbon Steel/Stainless Steel 304	150 kg	1.5/2.0 mm/3.0 mm	14mm
GD09-76FA01A	76mm	1/2"-13	60/80/100/120/150mm	50/65/87/107/130 mm	22mm	72/87/109/129/152 mm	Stainless Steel 304	100 kg	1.5/2.0 mm/3.0 mm	14mm
GD09-76FA02A	76mm	5/8"-11	80/100/120/150 mm	64/82/104/132 mm	25mm	89/107/129/157 mm	Stainless Steel 304	150 kg	1.5/2.0 mm/3.0 mm	14mm
GD09-86F01A	86mm	M16	80/100/120/150 mm	63/81/103/133 mm	26mm	89/107/129/159 mm	Carbon Steel/Stainless Steel 304	160 kg	1.5/2.0 mm/3.0 mm	15 mm
GD09-86FA01A	86mm	5/8"-11	80/100/120/150 mm	63/81/103/133 mm	26mm	89/107/129/159 mm	Stainless Steel 304	160 kg	1.5/2.0 mm/3.0 mm	15mm
GD09-95F01	95mm	M18	100/120/150 mm	80/98/128 mm	30mm	110/128/158 mm	Carbon Steel/Stainless Steel 304	200 kg	1.5/2.0 mm/3.0 mm	16mm
GD09-95F02	95mm	M20	100/120/150/200 mm	79/99/129/182 mm	31 mm	110/130/160/213 mm	Carbon Steel/Stainless Steel 304	220 kg	1.5/2.0 mm/3.0 mm	16mm
GD09-9SFA01	95mm	3/4"-10	100/120/150/200 mm	79/99/129/182 mm	31mm	110/130/160/213 mm	Stainless Steel 304	220 kg	1.5/2.0 mm/3.0 mm	16mm
GD09-105F01	105 mm	M20	100/120/150/170/200mm	79/99/129 mm	33mm	112/132/162 mm	Carbon Steel/Stainless Steel 304	300 kg	1.5/2.0 mm/3.0 mm	18mm
GD09-105FA01	105 mm	3/4"-10	100/120/150/170/200mm	79/99/129 mm	33mm	112/132/162 mm	Stainless Steel 304	300 kg	1.5/2.0 mm/3.0 mm	18mm

PIES NIVELADORES SERIE GD09

GD09 SERIES LEVELING FEET

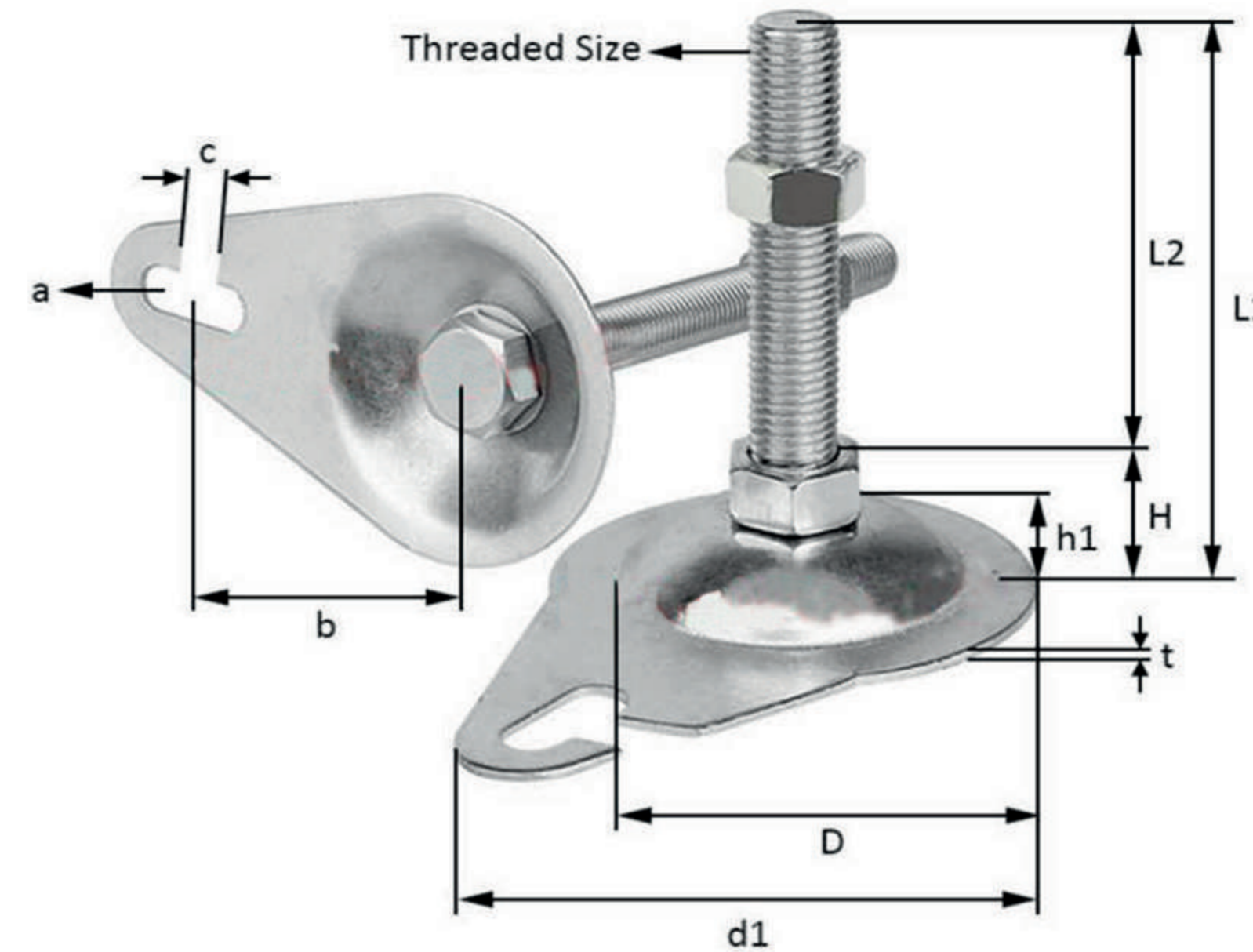


Modelo Model	Diámetro de la base Base Diameter (D)	Tamaño Roscado Threaded Size	Tamaño del perno Bolt Size (L)	Longitud roscada Threaded Length (L2)	Altura de Montaje Mounting Height (H)	Largo Total Total Length (L1)	Materiales de vástago roscado Threaded Stem Materials	Capacidad de Carga Loading Capacity	Grosor Básico Base Thickness (t)	Altura de la Base Base Height (h1)	Longitud de la Base Base Length (d1)	Tamaño del espacio entre orificios Hole Spacing Size (b)	Tamaño agujero Hole Size (a)
GD09-76F01B	76mm	M12	60/80/100/120/150mm	50/65/87/107/130 mm	22mm	72/87/109/129/152 mm	Carbon Steel/ Stainless Steel 304	100 kg	1.5/2.0 mm/ 3.0 mm	15mm 15mm	100mm 100mm	47mm	10.5x16 mm/ 14 mm
GD09-76F02B	76mm	M14	80/100/120/150 mm	68/83/103/133 mm	24mm	92/107/127/157 mm	Carbon Steel/ Stainless Steel 304	140 kg	1.5/2.0 mm/ 3.0 mm	15mm 15mm	100mm 100mm	47mm	10.5x16 mm/ 14 mm
GD09-76F03B	76mm	M16	80/100/120/150 mm	64/82/104/132 mm	25mm	89/107/129/157 mm	Carbon Steel/ Stainless Steel 304	150 kg	1.5/2.0 mm/ 3.0 mm	15mm 15mm	100mm 100mm	47mm	10.5x16 mm/ 14 mm

Modelo Model	Diámetro de la base Base Diameter (D)	Tamaño Roscado Threaded Size	Tamaño del perno Bolt Size (L)	Longitud roscada Threaded Length (L2)	Altura de Montaje Mounting Height (H)	Largo Total Total Length (L1)	Materiales de vástago roscado Threaded Stem Materials	Capacidad de Carga Loading Capacity	Grosor Básico Base Thickness (t)	Altura de la Base Base Height (h1)	Longitud de la Base Base Length (d1)	Tamaño del espacio entre orificios Hole Spacing Size (b)	Tamaño agujero Hole Size (a)
GD09-76FA01B	76mm	1/2"-13	60/80/100/120/150mm	50/65/87/107/130 mm	22mm	72/87/109/129/152 mm	Stainless Steel 304	100 kg	1.5/2.0 mm/ 3.0 mm	15mm	100mm	47mm	10.5x16 mm/ 14 mm
GD09-76FA02B	76mm	1/2"-13	80/100/120/150 mm	68/82/104/132 mm	25mm	89/107/129/157 mm	Stainless Steel 304	160 kg	1.5/2.0 mm/ 3.0 mm	15mm	100mm	47mm	10.5x16 mm/ 14 mm

PIES NIVELADORES SERIE GD09

GD09 SERIES LEVELING FEET

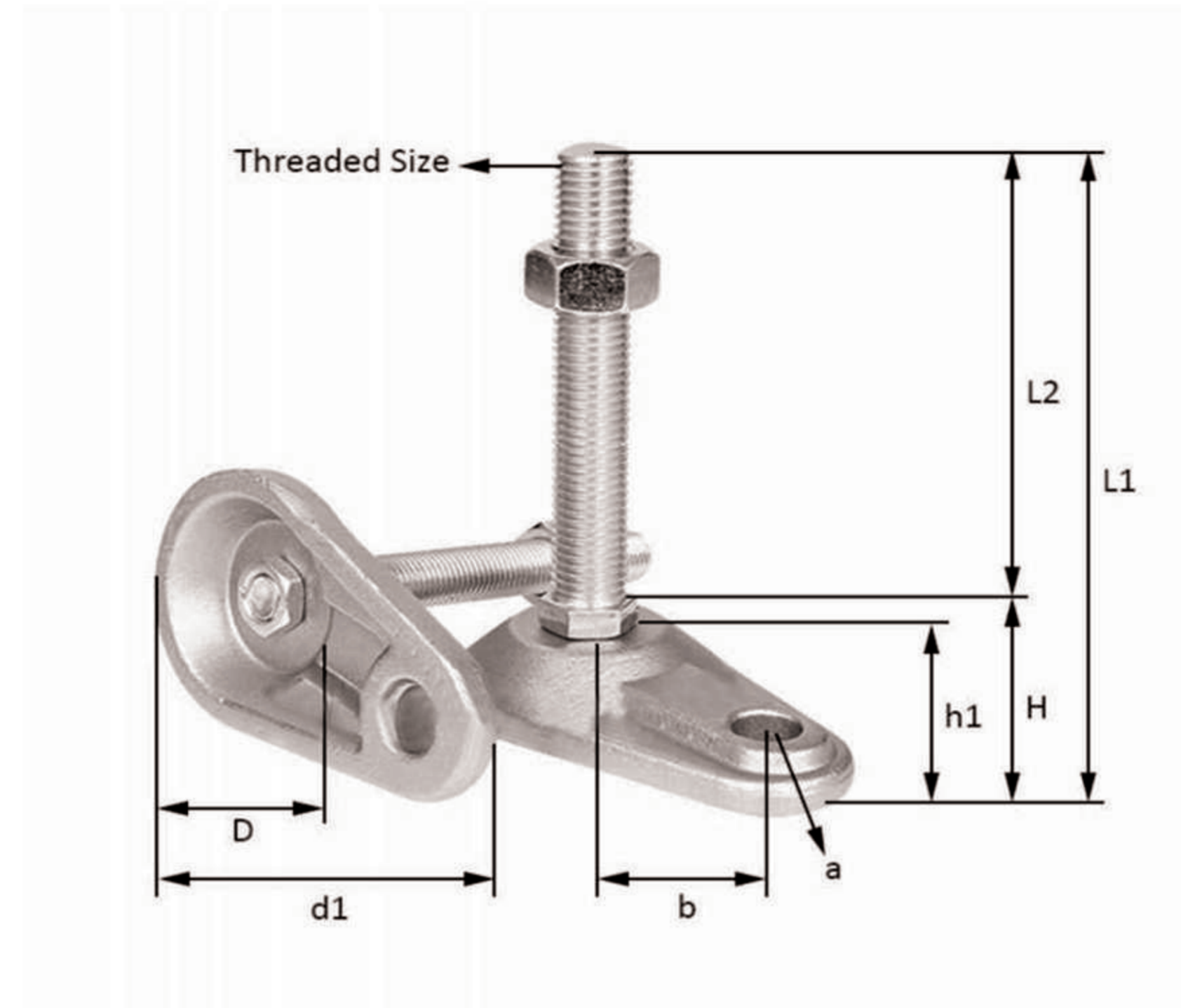


Modelo Model	Diámetro de la base Diameter (D)	Tamaño Roscado Threaded Size	Tamaño del perno Bolt Size (L)	Longitud roscada Threaded Length (L2)	Altura de Montaje Mounting Height (H)	Largo Total Total Length (L1)	Materiales de vástago roscado Threaded Stem Materials	Capacidad de Carga Loading Capacity	Grosor Básico Base Thickness (t)	Altura de la Base Base Height (h1)	Longitud de la Base Base Length (d1)	Tamaño del espacio entre orificios Hole Spacing Size (b)	Tamaño agujero Hole Size (a)	Tamaño apertura Opening Size (e)
GD09-86F01B	86mm	M12	60/80/100/120/150mm	50/65/87/107/130 mm	20mm	70/85/107/127/150 mm	Carbon Steel/ Stainless Steel 304	100 kg	1.5/2.0 mm/ 3.0 mm	15mm	132mm	67mm	26.7X11 mm	10.7-14 mm
GD09-86F02B	86mm	M14	80/100/120/150 mm	68/83/103/133 mm	22mm	90/105/125/155 mm	Carbon Steel/ Stainless Steel 304	140 kg	1.5/2.0 mm/ 3.0 mm	15mm	132mm	67mm	26.7X11 mm	10.7-14 mm
GD09-86F03B	86mm	M16	80/100/120/150 mm	64/82/104/132 mm	23mm	87/105/127/155 mm	Carbon Steel/ Stainless Steel 304	160 kg	1.5/2.0 mm/ 3.0 mm	15mm	132mm	67mm	26.7X11 mm	10.7-14 mm

Modelo Model	Diámetro de la base Base Diameter (D)	Tamaño Roscado Threaded Size	Tamaño del perno Bolt Size (L)	Longitud roscada Threaded Length (L2)	Altura de Montaje Mounting Height (H)	Largo Total Total Length (L)	Materiales de vástago roscado Threaded Stem Materials	Capacidad de Carga Loading Capacity	Grosor Básico Base Thickness (t)	Altura de la Base Base Height (h1)	Longitud de la Base Base Length (d1)	Tamaño del espacio entre orificios Hole Spacing Size (b)	Tamaño agujero Hole Size (a)	Tamaño apertura Opening Size (e)
GD09-86FA01B	86mm	1/2"-13	60/80/100/120/150mm	50/65/87/107/130 mm	20mm	70/85/107/127/150 mm	Stainless Steel 304	100 kg	1.5/2.0 mm	15mm	132mm	67mm	26.7X11 mm	10.7-14 mm
GD09-86A02B	86mm	5/8"-11	80/100/120/150 mm	64/82/104/132 mm	23mm	87/105/127/155 mm	Stainless Steel 304	160 kg	1.5/2.0 mm	15mm	132mm	67mm	26.7X11 mm	10.7-14 mm

PIES NIVELADORES SERIE GD09

GD09 SERIES LEVELING FEET



Modelo Model	Diámetro de la base Base Diameter (D)	Tamaño Roscado Threaded Size	Tamaño del perno Bolt Size (L)	Longitud roscada Threaded Length (L2)	Altura de Montaje Mounting Height (H)	Largo Total Total Length (L1)	Materiales de vástago roscado Threaded Stem Materials	Capacidad de Carga Loading Capacity	Grosor Básico Base Thickness (t)	Altura de la Base Base Height (h1)	Longitud de la Base Base Length (d1)	Tamaño del espacio entre orificios Hole Spacing Size (b)	Tamaño agujero Hole Size (a)
GD09-80F01CD	80mm	M12	60/80/100/120mm	54/76/96/119 mm	36 mm	90/112/132/155 mm	Carbon Steel/ Stainless Steel 304	150 kg	12 mm	28mm	138mm	76mm	20mm
GD09-80F02CD	80mm	M14	80/100/120/150 mm	72/92/122/137 mm	38 mm	110/130/160/175 mm	Carbon Steel/ Stainless Steel 304	260 kg	12 mm	28mm	138mm	76mm	20mm
GD09-80F03CD	80mm	M16	80/100/120/150 mm	71/93/121/141 mm	39 mm	110/132/160/180 mm	Carbon Steel/ Stainless Steel 304	400 kg	12 mm	28mm	138mm	76mm	20mm
GD09-80F04CD	80mm	M18	100/120/150/200 mm	88/118/138/163 mm	42 mm	130/160/180/205 mm	Carbon Steel/ Stainless Steel 304	650 kg	12 mm	28mm	138mm	76mm	20mm
GD09-80F05CD	80mm	M20	100/120/150/200 mm	89/119/139/182 mm	43 mm	132/162/182/225 mm	Carbon Steel/ Stainless Steel 304	1200 kg	12 mm	28mm	138mm	76mm	20mm
GD09-80F06CD	80mm	M22	100/150 mm	100/150 mm	45 mm	145/195 mm	Carbon Steel/ Stainless Steel 304	1600 kg	12 mm	28mm	138mm	76mm	20mm
GD09-80F07CD	80mm	M24	100/150 mm	100/120/150 mm	46 mm	146/166/196 mm	Carbon Steel/ Stainless Steel 304	2000 kg	12 mm	28mm	138mm	76mm	20mm

Modelo Model	Diámetro de la base Base Diameter (D)	Tamaño Roscado Threaded Size	Tamaño del perno Bolt Size (L)	Longitud roscada Threaded Length (L2)	Altura de Montaje Mounting Height (H)	Largo Total Total Length (L1)	Materiales de vástago roscado Threaded Stem Materials	Capacidad de Carga Loading Capacity	Grosor Básico Base Thickness (t)	Altura de la Base Base Height (h1)	Longitud de la Base Base Length (d1)	Tamaño del espacio entre orificios Hole Spacing Size (b)	Tamaño agujero Hole Size (a)
GD09-80F08CD	80mm	M30	100/120/150/200 mm	100/120/150/200 mm	51 mm	151/171/201/251 mm	Carbon Steel/ Stainless Steel 304	2500 kg	12 mm	28mm	138mm	76mm	20mm
GD09-80FA01CD	80mm	1/2"-13	60/80/100/120 mm	54/76/96/119 mm	36 mm	90/112/132/155 mm	Stainless Steel 304	150 kg	12 mm	28mm	138mm	76mm	20mm
GD09-80FA02CD	80mm	5/8"-11	80/100/120/150 mm	71/93/121/141 mm	39 mm	110/132/160/180 mm	Stainless Steel 304	400 kg	12 mm	28mm	138mm	76mm	20mm
GD09-80FA03CD	80mm	3/4"-10	100/120/150/200 mm	89/119/139/182 mm	43 mm	132/162/182/225 mm	Stainless Steel 304	1200 kg	12 mm	28mm	138mm	76mm	20mm
GD09-80FA04CD	80mm	1"-8	100/120/150 mm	100/120/150 mm	46 mm	146/166/196 mm	Stainless Steel 304	2000 kg	12 mm	28mm	138mm	76mm	20mm